

A PRINTED COPY OF THIS DOCUMENT IS NOT UNDER REVISION CONTROL

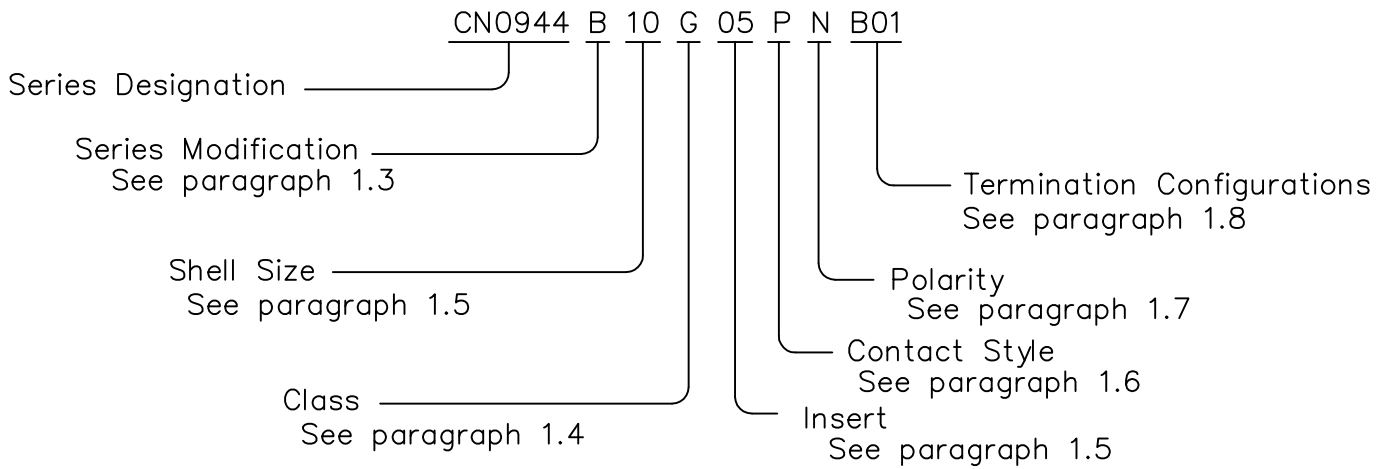
DRAWING REVISIONS
(RELEASE DATE ON FILE)

REV	DOCUMENT	APP	APPROVAL DATE
G	CO 3874	JT	10/19/18

CONNECTOR, RECEPTACLE, ELECTRIC, FLANGE MOUNT
MOLDED-IN CONTACTS, ENVIRONMENT RESISTANT

1. GENERAL

- 1.1 Scope. This drawing covers a series of flange mounted receptacles that mate with MIL-C-26500, Type B and T connectors. The connector series features short shells and non removable molded-in contacts with solder cup, solder pin, or wire wrap terminations.
- 1.2 Part Number System. The part number for connectors covered by this specification shall consist of "CN0944" followed by the series of characters shown below:



UNITS ENGLISH		AUTOCAD	CINCH	1700 FINLEY RD LOMBARD, IL. 60148								
		DO NOT SCALE DRAWING	DESIGN ENGINEER R.E.GREEN	DATE 2/28/1996	TITLE CONNECTOR, RECEPTACLE, FLANGE MOUNT MOLDED-IN CONTACTS, ENVIRONMENT RESISTANT							
UNLESS OTHERWISE SPECIFIED: DIMENSIONS ARE IN INCHES	<table border="0"> <tr> <td>FILLET/RADII .02 MAX.</td> <td><u>TOLERANCES</u></td> </tr> <tr> <td></td> <td>.X ± .1</td> </tr> <tr> <td>TOLERANCES AND LIMITS APPLY OVER ADDITIVE FINISH</td> <td>.XX ± .01 .XXX ± .005 ANGULAR ± .5°</td> </tr> </table>	FILLET/RADII .02 MAX.	<u>TOLERANCES</u>		.X ± .1	TOLERANCES AND LIMITS APPLY OVER ADDITIVE FINISH	.XX ± .01 .XXX ± .005 ANGULAR ± .5°	APPROVALS ON FILE	MATERIAL	-	CONTROL SPEC NUMBER	-
		FILLET/RADII .02 MAX.	<u>TOLERANCES</u>									
	.X ± .1											
TOLERANCES AND LIMITS APPLY OVER ADDITIVE FINISH	.XX ± .01 .XXX ± .005 ANGULAR ± .5°											
MATERIAL SPEC NUMBER	-	FINISH	-	PROJECT NUMBER	01R508							
CONFIDENTIAL THIS DOCUMENT IS THE PROPERTY OF CINCH NEITHER THIS DOCUMENT NOR ANY OF THE INFORMATION CONTAINED IN IT MAY BE DUPLICATED OR DISCLOSED WITHOUT PRIOR WRITTEN CONSENT OF CINCH © COPYRIGHT 2018 CINCH		CAD FILE NUMBER CN0944_G	DRAWING NUMBER CN0944									
		CAGE IDENT NO. 71785	SIZE B	SCALE NONE	SHEET 1 OF 17							

1.2.1 Available Part Number. See Table 1 for part numbers covering connectors which are; bayonet coupled, square flange mount, Class G, pin style contacts, and normal polarity. Part numbers are also available for other connector configurations as defined in paragraphs shown in the example in 1.2.

1.3 Series Modifications. Provisions have been made in this specification for modification to the mounting geometry, shell material, insert material, etc. as shown in Table 2.
 Typical part number: CN0944C10G05PNB01 (See 6.1)

TABLE 2 SERIES MODIFICATION

CONNECTOR SERIES	DESCRIPTION
CN0944B	See 3.1.3.1, Square Flange Mount, Bayonet Coupled
CN0944C	See 3.1.3.2, Square Flange Mount, Thread Coupled
CN0944D	See 3.1.3.3, Single Hole Mount, Bayonet Coupled
CN0944E	See 3.1.3.4, Single Hole Mount, Thread Coupled
CN0944F	See 3.1.3.5, CN0944B with threaded mounting holes.
CN0944G	SEE 3.1.3.6, CN0944B with clinch nuts in mounting flange.
CN0944H	SEE 3.1.3.8, SPECIAL SQUARE FLANGE MOUNT
CN0944M	See 3.1.3.7, CN0944B with interface sealing risers.

B

B

A

A

UNITS ENGLISH	CINCH	1700 FINLEY RD LOMBARD, IL. 60148	AUTOCAD DRAWING		
			CAD FILE NUMBER CN0944_G	DRAWING NUMBER CN0944	REV G
DO NOT SCALE DRAWING	TITLE CONNECTOR, RECEPTACLE, FLANGE MOUNT MOLDED-IN CONTACTS, ENVIRONMENT RESISTANT	CAGE IDENT. NO. 71785	SIZE B	SHEET 2 OF 17	
CONFIDENTIAL <small>THIS DOCUMENT IS THE PROPERTY OF CINCH NEITHER THIS DOCUMENT NOR ANY OF THE INFORMATION CONTAINED IN IT MAY BE DUPLICATED OR DISCLOSED WITHOUT PRIOR WRITTEN CONSENT OF CINCH © COPYRIGHT 2016 CINCH</small>					

TABLE 1 PART NUMBERS (CLASS G)

PART NUMBERS	SHELL & INSERT	CONTACT	
		QTY	SIZE
CN0944B08G02PNB01 08G03PNB01	08-02	2	#20
	08-03	3	#20
10G02PNB01 10G05PNB01 10G20PNB01	10-02	2	#20
	10-05	5	#20
	10-20	2	#16
12G03PNB01 12G12PNB01	12-03	3	#16
	12-12	12	#20
14G03PNB01 14G04PNB01 14G07PNB01 14G12PNB01 14G15PNB01	14-03	2	#16
		1	#2 Coax
	14-04	4	#12
	14-07	7	#16
	14-12	9	#20
		3	#16
16G10PNB01 16G24PNB01	14-15	15	#20
	16-10	10	#16
	16-24	24	#20
18G08PNB01 18G11PNB01 18G14PNB01 18G31PNB01	18-08	8	#12
	18-11	10	#16
		1	#2 Coax
	18-14	14	#16
	18-31	31	#20
20G16PNB01 20G25PNB01 20G28PNB01 20G39PNB01 20G41PNB01	20-16	16	#16
	20-25	19	#20
		6	#12
	20-28	24	#20
		4	#12
	20-39	37	#20
	2	#16	
	20-41	41	#20
22G12PNB01 22G19PNB01 22G32PNB01 22G55PNB01	22-12	12	#12
	22-19	19	#16
	22-32	26	#20
		6	#12
	22-55	55	#20
24G29PNB01 24G30PNB01 24G43PNB01 24G57PNB01 24G61PNB01	24-29	29	#16
	24-30	30	#16
	24-43	23	#20
		20	#16
	24-57	55	#20
		2	#12
	24-61	61	#20
CN0942B28G42PNB01	28-42	42	#16

B

B

A

A

UNITS ENGLISH	CINCH	1700 FINLEY RD LOMBARD, IL. 60148	AUTOCAD DRAWING		
			CAD FILE NUMBER CN0944_G	DRAWING NUMBER CN0944	REV G
DO NOT SCALE DRAWING	TITLE CONNECTOR, RECEPTACLE, FLANGE MOUNT MOLDED-IN CONTACTS, ENVIRONMENT RESISTANT	CAGE IDENT. NO. 71785	SIZE B	SHEET 3 OF 17	
<small>CONFIDENTIAL</small> <small>THIS DOCUMENT IS THE PROPERTY OF CINCH</small> <small>NEITHER THIS DOCUMENT NOR ANY OF</small> <small>THE INFORMATION CONTAINED IN IT MAY</small> <small>BE DUPLICATED OR DISCLOSED WITHOUT</small> <small>PRIOR WRITTEN CONSENT OF CINCH</small> <small>© COPYRIGHT 2016 CINCH</small>					

1.4 Class. Part numbers shall identify the applicable connector class, shown in Table 3.
 Typical Class S part number: CN0944B10S05PNB01

TABLE 3 CLASSES

CLASS	DESCRIPTION
R	Anodized aluminum shells
N	Electroless nickel plated aluminum shells
S	Stainless steel shells
G	Bright cadmium over electroless nickel
E	Irridescent cadmium over electroless nickel
Y	Bright cadmium over electroless nickel, with fluorosilicone face seal.
J	Anodize finish with fluorosilicone face seal.

1.5 Insert Arrangements. Shell size and insert arrangements shall be identified with numbers as specified in MIL-STD-1554 and Figure 1. See available shell sizes and inserts in Table 1.

1.6 Contact Styles. Connector part numbers shall designate contact mating and termination style by showing either a "P" for pin or an "S" for socket. The part numbers shown in Table 1 may be converted to cover socket style connectors by substituting an "S" for the "P" shown in the part numbers. Typical socket style solder pin part number: CN0944B10G05SNB01.

1.7 Connector Polarity. Connector part numbers shall designate key and keyway positions by showing an "N", "6", "7", "8", "9" or "Y" in the polarity designator field. Key and keyway positions shall comply with the requirements of MIL-STD-1554 for corresponding designations. Part numbers in Table 1 may be converted to cover connectors with alternate polarities by substituting the appropriate character above for the "N" in the part number. Typical alternate polarity part number: CN0944B10G05P8B01.

1.8 Termination Configuration. The contact termination dimensions shall be defined in the part number by selecting one of the designators shown in Table 4 and Table 5. Special features such as alternate contact plating or geometries may also be defined. (See 6.2) Typical alternate pin length part number: CN0944B10G05NB05.

TABLE 4 TERMINATION TYPE

TYPE	TERMINATION STYLE
C	SOLDER CUP
B	PRINTED CIRCUIT
W	WIRE WRAP
S	SOLDER SLOT _{1/}

_{1/} LIMITED INSERT ARRANGEMENT APPLICATION

UNITS ENGLISH	CINCH	1700 FINLEY RD LOMBARD, IL. 60148	AUTOCAD DRAWING		
			CAD FILE NUMBER CN0944_G	DRAWING NUMBER CN0944	REV G
DO NOT SCALE DRAWING	TITLE CONNECTOR, RECEPTACLE, FLANGE MOUNT MOLDED-IN CONTACTS, ENVIRONMENT RESISTANT	CAGE IDENT. NO. 71785	SIZE B	SHEET 4 OF 17	
CONFIDENTIAL <small>THIS DOCUMENT IS THE PROPERTY OF CINCH NEITHER THIS DOCUMENT NOR ANY OF THE INFORMATION CONTAINED IN IT MAY BE DUPLICATED OR DISCLOSED WITHOUT PRIOR WRITTEN CONSENT OF CINCH © COPYRIGHT 2016 CINCH</small>					

TABLE 5 TERMINATION DESCRIPTIONS

DESIGNATOR	SERIES	TERM. STYLE	DIMENSION		SPECIAL FEATURES
			D	C	
01	B, C, F & G	B	.250 MIN	.025 ±.002	
02	B, C, F & G	C	.230 MIN	N.A.	
03	D & E	B	.144 MIN	.025 ±.002	
04	D & E	W	.124 MIN	N.A.	
05	B, C, F & G	B	.530 MIN	.025 ±.002	
06	B, C, F & G	W	.900 MIN	N.A.	.025 Square wire wrap tail.
07	D & E	B	.320 MIN	.025 ±.002	
08	B, C, F & G	B	.320-.340	.025 ±.002	
08C	B, C, F & G	B	.320-.340	.025 ±.002	With COAX Contact in size 12 contact locations
09	B, C, F & G	B	.325 MIN	.030 ±.002	
10	B, C, F & G	B	.320 MIN	.025 ±.002	.142 ±.002 MOUNTING HOLES
11	B & C	C	.229 MIN	N.A.	
12	B, C, F & G	B	.790 MIN	.025 ±.002	Size 12 contact PC Tail .081 ±.002
13	B, C, F & G	C	.229 MIN	N.A.	.142 ±.002 MOUNTING HOLES
14	B, C, F & G	B	.452 MIN	.031 ±.001	
15	B, C, F & G	B	.460 MIN	.025 ±.002	
16	B, C, F & G	B	.280 - .300	.025 ±.002	
17	B	S	.144 - .164	N.A.	
18	B, C, F & G	B	.221 ±.010	.030 ±.001	(4058634-613 & -711)
19	B, C, F & G	B	.265 ±.009	.025 ±.002	
20	B, C, F & G	B	.530 MIN	.025 ±.002	(Honeywell 4068957 30° cut off flange)
21	B, C, F & G	B	.725 MIN	.025 FOR .125 THEN .050	Step on PC Tail
22	B, C, F & G	B	.250 MIN	.025 ±.002	Conical pin tip (Boeing Style) instead of spherical
23					
24					
25					
26	H	B	.235 ±.009	.025 ±.002	Special Flange
27	H	C	.229 ±.009	N.A.	Special Flange
28					
29					
30					
31					
32					
33					
34					
35					

B

B

A

A

UNITS ENGLISH	CINCH	1700 FINLEY RD LOMBARD, IL. 60148	AUTOCAD DRAWING		
			CAD FILE NUMBER CN0944_G	DRAWING NUMBER CN0944	REV G
DO NOT SCALE DRAWING	TITLE CONNECTOR, RECEPTACLE, FLANGE MOUNT MOLDED-IN CONTACTS, ENVIRONMENT RESISTANT	CAGE IDENT. NO. 71785	SIZE B	SHEET 5 OF 17	
<small>THIS DOCUMENT IS THE PROPERTY OF CINCH NEITHER THIS DOCUMENT NOR ANY OF THE INFORMATION CONTAINED IN IT MAY BE DUPLICATED OR DISCLOSED WITHOUT PRIOR WRITTEN CONSENT OF CINCH © COPYRIGHT 2016 CINCH</small>					

2. APPLICABLE DOCUMENTS

2.1 Government

- (a) MIL-STD-1554 MILITARY STANDARDS; Insert Arrangements for MIL-C-83723, Series III and MIL-C-26500; Environment Resistant, Circular, Electrical Connectors
- (b) MIL-A-8625 Anodic Coatings, For Aluminum and Aluminum Alloys.
- (c) MIL-C-26074 Coating, Electroless Nickel, Requirements For.
- (d) MIL-C-26500 GENERAL SPECIFICATION; Connector, General Purpose, Electrical Miniature, Environment Resisting.
- (e) MIL-C-55330 Connectors, Preparation for Delivery of.
- (f) MS24264 Connectors, Receptacle, Electrical, Flange Mount, Miniature.
- (g) MS24265 Connector, Receptacle, Electrical Single Hole Mount Miniature (Inactive).
- (h) QQ-P-35 Passivation Treatments for Corrosion-resisting Steel.
- (i) QQ-P-416 Plating Cadimium (Electro Deposited)
- (j) MIL-G-45204 Gold Plating, Electrodeposited

B

B

A

A

UNITS	ENGLISH	CINCH	1700 FINLEY RD LOMBARD, IL. 60148	AUTOCAD DRAWING		
DO NOT SCALE DRAWING		TITLE CONNECTOR, RECEPTACLE, FLANGE MOUNT MOLDED-IN CONTACTS, ENVIRONMENT RESISTANT	CAD FILE NUMBER		DRAWING NUMBER	REV
CONFIDENTIAL <small>THIS DOCUMENT IS THE PROPERTY OF CINCH NEITHER THIS DOCUMENT NOR ANY OF THE INFORMATION CONTAINED IN IT MAY BE DUPLICATED OR DISCLOSED WITHOUT PRIOR WRITTEN CONSENT OF CINCH © COPYRIGHT 2016 CINCH</small>			CN0944_G		CN0944	G
			CAGE IDENT. NO. 71785	SIZE B	SHEET 6 OF 17	

3. REQUIREMENTS

3.1 Design and Construction. The design and construction of these connectors shall comply with MIL-C-26500, except as specified herein.

3.1.1 Shell Materials. Shell materials for connectors with aluminum shells shall comply with Class R requirements of MIL-C-26500. Shell material for connectors with stainless steel shells shall be 300 Series stainless steel.

3.1.1.2 Insulators. Neoprene per MIL-STD-417 SC715B₁ E₃ F₂ Z.

3.1.1.3 Face Seal (Class Y). Fluorosilicone.

3.1.2 Finishes.

3.1.2.1 Shells. Connector shell finishes shall be as shown below:

- (a) Class R - Anodize in accordance with MIL-A-8625.
- (b) Class N - Electroless nickel in accordance with MIL-C-26074, Class 3 or 4, Grade B.
- (c) Class S - Passivated in accordance with QQ-P-35.
- (d) Class G& Y - Cadmium, .0003 to .0005 thick. IAW QQ-P-416 over electroless nickel IAW MIL-C-26074, Class 3 or 4, Grade B followed by clear chromate conversion.
- (e) Class E - Cadmium, .0003 to .0005 thick, IAW QQ-P-416 over electroless nickel IAW MIL-C-26074, Class 3, Grade B. (Bronze/yellow iridescent color)

3.1.2.2 Contacts. The contact finish shall be .000050 MIN Gold IAW MIL-C-45204 Type I, Grade c, over .000250 MIN Nickel IAW QQ-P-290 Class 2, unless otherwise specified in Table 5. Copper plate under the nickel may be used.

3.1.3 Design.

3.1.3.1 Square Flange Mount (CN0944B). The design configuration of the square flange mount, bayonet coupled receptacles shall comply with MS24264, Type B, except as defined in Figure 2.

3.1.3.2 Square Flange Mount (CN0944C). The design configuration of the square flange mount, thread coupled receptacles shall comply with MS24264, Type T, except as defined in Figure 3.

3.1.3.3 Single Hole Mount (CN0944D). The design configuration of the single hole mount, bayonet coupled receptacle shall comply with MS24265, Type B, except as defined in Figure 4.

3.1.3.4 Single Hole Mount (CN0944E). The design configuration of the single hole mount, thread coupled receptacles shall comply with MS24265, Type T, except as defined in Figure 5.

3.1.3.5 Bayonet Square Flange (CN0944F). The design configuration of the CN0944F connector shall meet the requirements of MS24264 for Type B (Bayonet) coupling, except as shown in Figure 6.

3.1.3.6 Bayonet Square Flange (CN0944G). The design configuration of the CN0944G connector shall meet the requirements of MS24264 for Type B (Bayonet) coupling, except as shown in Figure 7.

3.1.3.7 Bayonet Square Flange (CN0944M). The design configuration of the CN0944M connector shall meet the requirements of MS24264 for Type B (Bayonet) coupling, except as shown in Figure 8. The CN0944M is only available with pin contacts.

3.1.3.8 Special Square Flange (CN0944H). The design configuration of the CN0944H connector shall meet the requirements of MS24264 for Type B (Bayonet) coupling, except as shown in Figure 9.

UNITS ENGLISH	CINCH	1700 FINLEY RD LOMBARD, IL. 60148	AUTOCAD DRAWING		
			CAD FILE NUMBER CN0944_G	DRAWING NUMBER CN0944	REV G
DO NOT SCALE DRAWING	TITLE CONNECTOR, RECEPTACLE, FLANGE MOUNT MOLDED-IN CONTACTS, ENVIRONMENT RESISTANT	CAGE IDENT. NO. 71785	SIZE B	SHEET 7 OF 17	
<small>THIS DOCUMENT IS THE PROPERTY OF CINCH NEITHER THIS DOCUMENT NOR ANY OF THE INFORMATION CONTAINED IN IT MAY BE DUPLICATED OR DISCLOSED WITHOUT PRIOR WRITTEN CONSENT OF CINCH © COPYRIGHT 2016 CINCH</small>					

3.1.4 Insert Arrangements. Insert arrangements shall comply with the requirements specified for MIL-C-26500 inserts in MIL-STD-1554 except for 24-29, 24-30, and 28-42 which shall comply with Figure 1.

3.2 Part Number Marking. The connectors shall be marked with the part number defined in paragraph 1.2.

3.3 Performance. Connector performance shall comply with requirements for Class R receptacles specified in MIL-C-26500, except where specified design modifications eliminate applicable features, such as removable contacts.

4. QUALITY ASSURANCE PROVISIONS

4.1 Lot Acceptance. Lot acceptance inspections and testing shall comply with requirements for Class R receptacles as specified in MIL-C-26500.

5. DELIVERY PREPARATION

5.1 Packaging. Packaging shall meet requirements of MIL-C-55330.

B

B

A

A

UNITS ENGLISH		1700 FINLEY RD LOMBARD, IL. 60148	AUTOCAD DRAWING		
DO NOT SCALE DRAWING			CAD FILE NUMBER CN0944_G	DRAWING NUMBER CN0944	REV G
CONFIDENTIAL <small>THIS DOCUMENT IS THE PROPERTY OF CINCH. NEITHER THIS DOCUMENT NOR ANY OF THE INFORMATION CONTAINED IN IT MAY BE DUPLICATED OR DISCLOSED WITHOUT PRIOR WRITTEN CONSENT OF CINCH. © COPYRIGHT 2015 CINCH.</small>	TITLE CONNECTOR, RECEPTACLE, FLANGE MOUNT MOLDED-IN CONTACTS, ENVIRONMENT RESISTANT		CAGE IDENT. NO. 71785	SIZE B	SHEET 8 OF 17

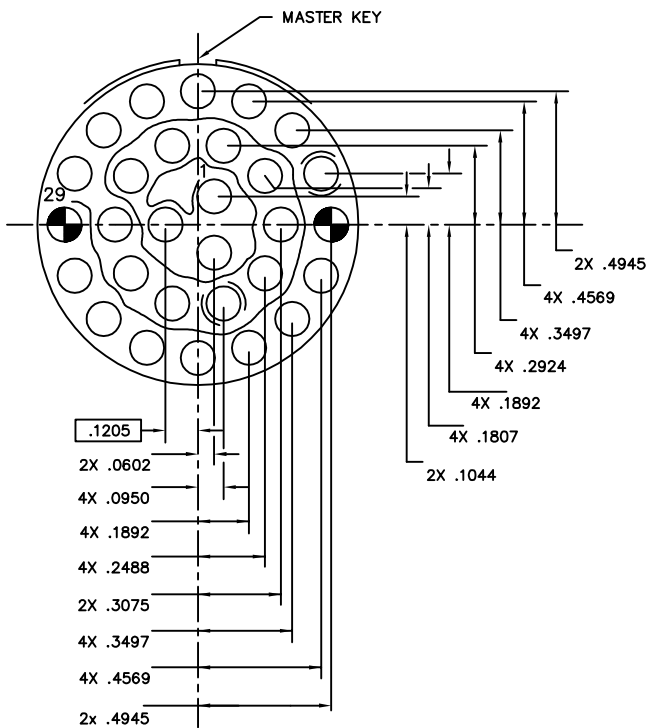
2

1

B

B

FIGURE 1B INSERT ARR 24-29



MASTER KEY

- 4X .564
- 6X .470
- 8X .376
- 6X .282
- 8X .188
- 6X .094

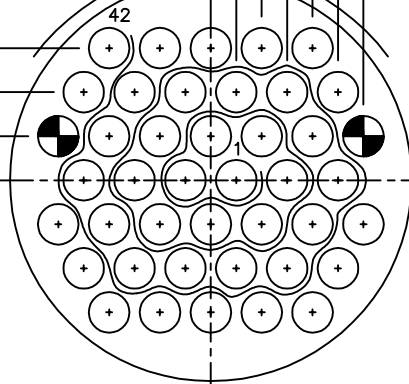


FIGURE 1A INSERT ARR 28-42

A

A

NOTES:

- 1. MATING FACE OF PIN INSERT IS SHOWN

- 2X .4825
- 4X .4090
- 4X .2925
- 4X .2750
- 4X .1740
- 2X .1325
- 4X .1000

MASTER KEY

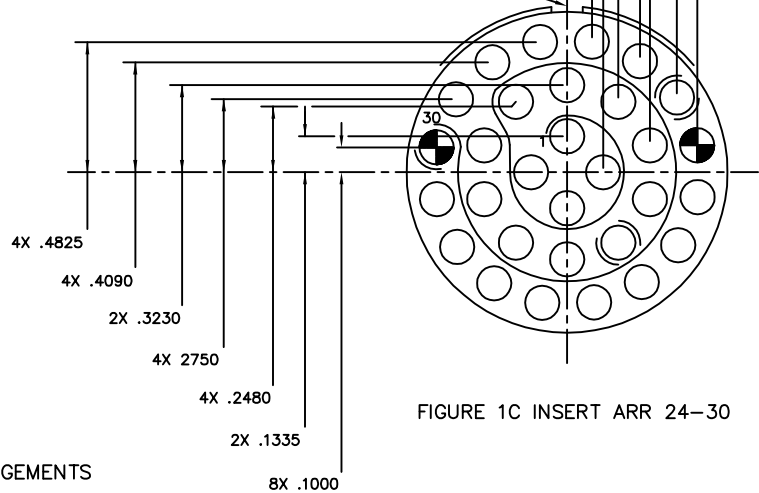


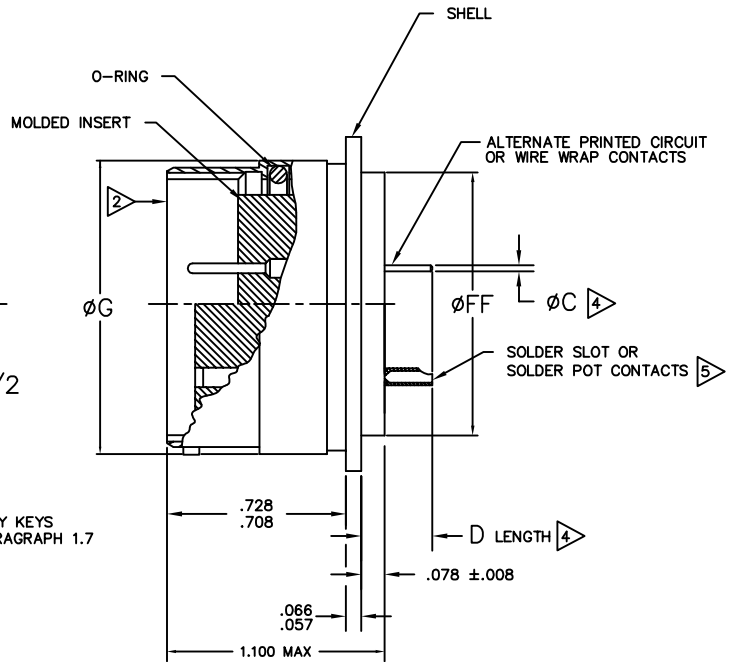
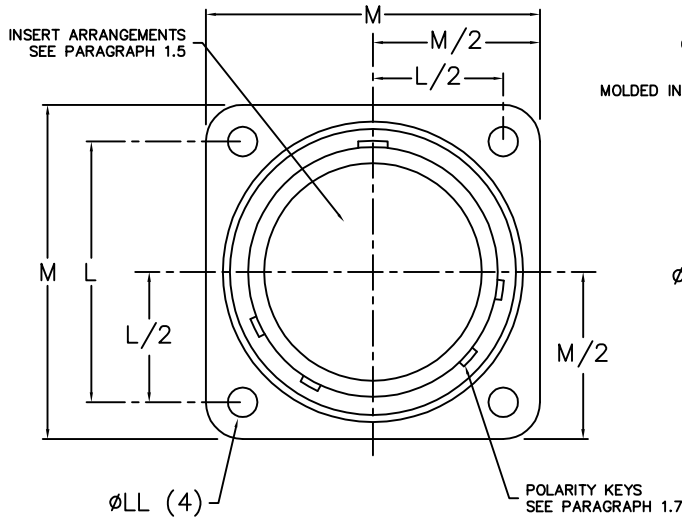
FIGURE 1C INSERT ARR 24-30

FIGURE 1 INSERT ARRANGEMENTS

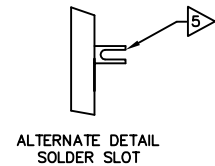
UNITS ENGLISH	CINCH	1700 FINLEY RD LOMBARD, IL. 60148	AUTOCAD DRAWING		
			CAD FILE NUMBER CN0944_G	DRAWING NUMBER CN0944	REV G
DO NOT SCALE DRAWING	TITLE CONNECTOR, RECEPTACLE, FLANGE MOUNT MOLDED-IN CONTACTS, ENVIRONMENT RESISTANT	CAGE IDENT. NO. 71785	SIZE B	SHEET 9 OF 17	
CONFIDENTIAL <small>THIS DOCUMENT IS THE PROPERTY OF CINCH NEITHER THIS DOCUMENT NOR ANY OF THE INFORMATION CONTAINED IN IT MAY BE DUPLICATED OR DISCLOSED WITHOUT PRIOR WRITTEN CONSENT OF CINCH © COPYRIGHT 2016 CINCH</small>					

2

1



SHELL SIZE	ϕG	L	ϕLL	M	ϕFF MAXIMUM	
					ANODIZED SHELLS	CONDUCTIVE SHELLS
8	.559	.599	.125	.817	.437	.500
	.554	.589		.807		
10	.694	.724		.941	.562	.625
	.689	.714		.932		
12	.872	.817		1.035	.750	.750
	.865	.807		1.026		
14	.935	.911		1.129	.812	.875
	.930	.901		1.120		
16	1.060	.974		1.254	.938	1.000
	1.055	.964		1.245		
18	1.185	1.067		1.347	1.062	1.062
	1.180	1.057		1.338		
20	1.310	1.161	1.441	1.187	1.187	
	1.305	1.151	1.432			
22	1.435	1.255	1.566	1.312	1.312	
	1.430	1.245	1.557			
24	1.560	1.380	1.707	1.437	1.437	
	1.555	1.370	1.698			
28	1.810	1.567	2.004	1.750	1.750	
	1.805	1.557	1.995			

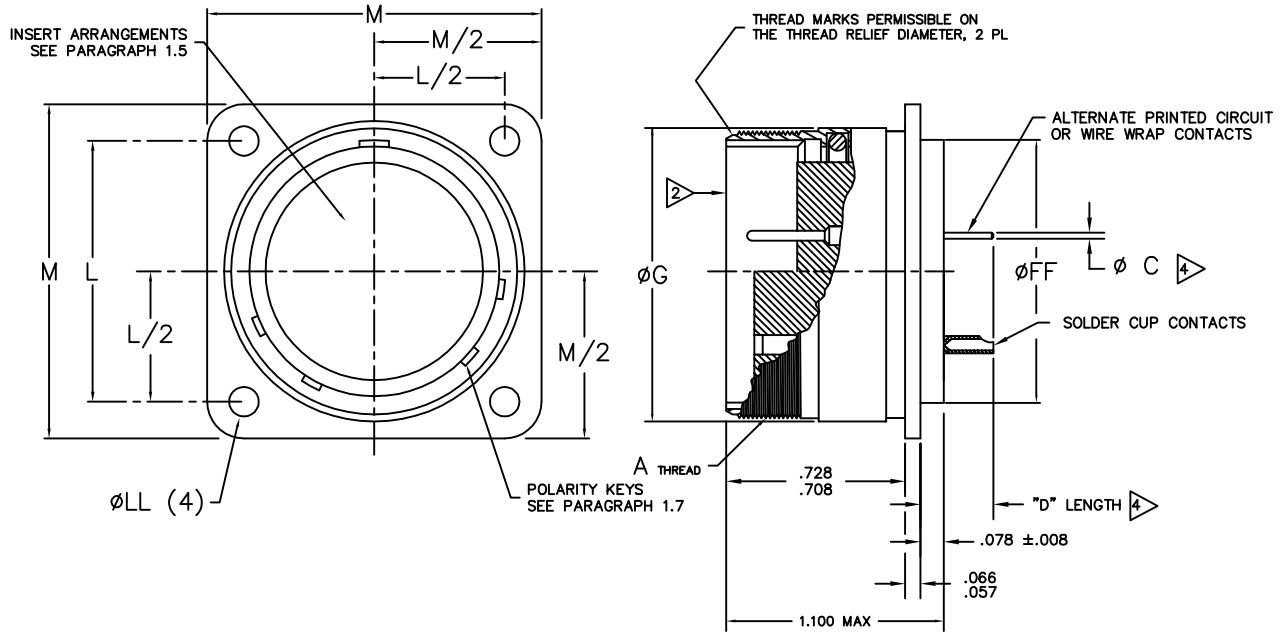


NOTES:

1. UNLESS OTHERWISE SPECIFIED, DIMENSIONS ARE IN INCHES.
2. MOUNTING AND INTERFACE DIMENSIONS SHALL BE AS SPECIFIED IN MS24264 FOR TYPE "B" CONNECTORS.
3. FIGURE IS MULTI-PURPOSE. PIN AND SOCKET CONTACTS ARE NOT AVAILABLE IN THE SAME CONNECTOR, NOR ARE ALTERNATE CONTACT TERMINATION STYLES.
4. SEE TABLE 5.
5. CENTERLINE OF SOLDER SLOT AND SOLDER CUP FLAT ARE PERPENDICULAR TO MASTER KEYWAY CENTERLINE. SOLDER CUP SHOWN. SEE ALTERNATE DETAIL FOR SOLDER SLOT.

FIGURE 2 BAYONET COUPLED SQUARE FLANGE MOUNT CN0944B

UNITS ENGLISH	CINCH	1700 FINLEY RD LOMBARD, IL. 60148	AUTOCAD DRAWING		
			CAD FILE NUMBER CN0944_G	DRAWING NUMBER CN0944	REV G
DO NOT SCALE DRAWING	TITLE CONNECTOR, RECEPTACLE, FLANGE MOUNT MOLDED-IN CONTACTS, ENVIRONMENT RESISTANT	CAGE IDENT. NO. 71785	SIZE B	SHEET 10 OF 17	
CONFIDENTIAL <small>THIS DOCUMENT IS THE PROPERTY OF CINCH. NEITHER THIS DOCUMENT NOR ANY OF THE INFORMATION CONTAINED IN IT MAY BE DUPLICATED OR DISCLOSED WITHOUT PRIOR WRITTEN CONSENT OF CINCH. © COPYRIGHT 2016 CINCH.</small>					



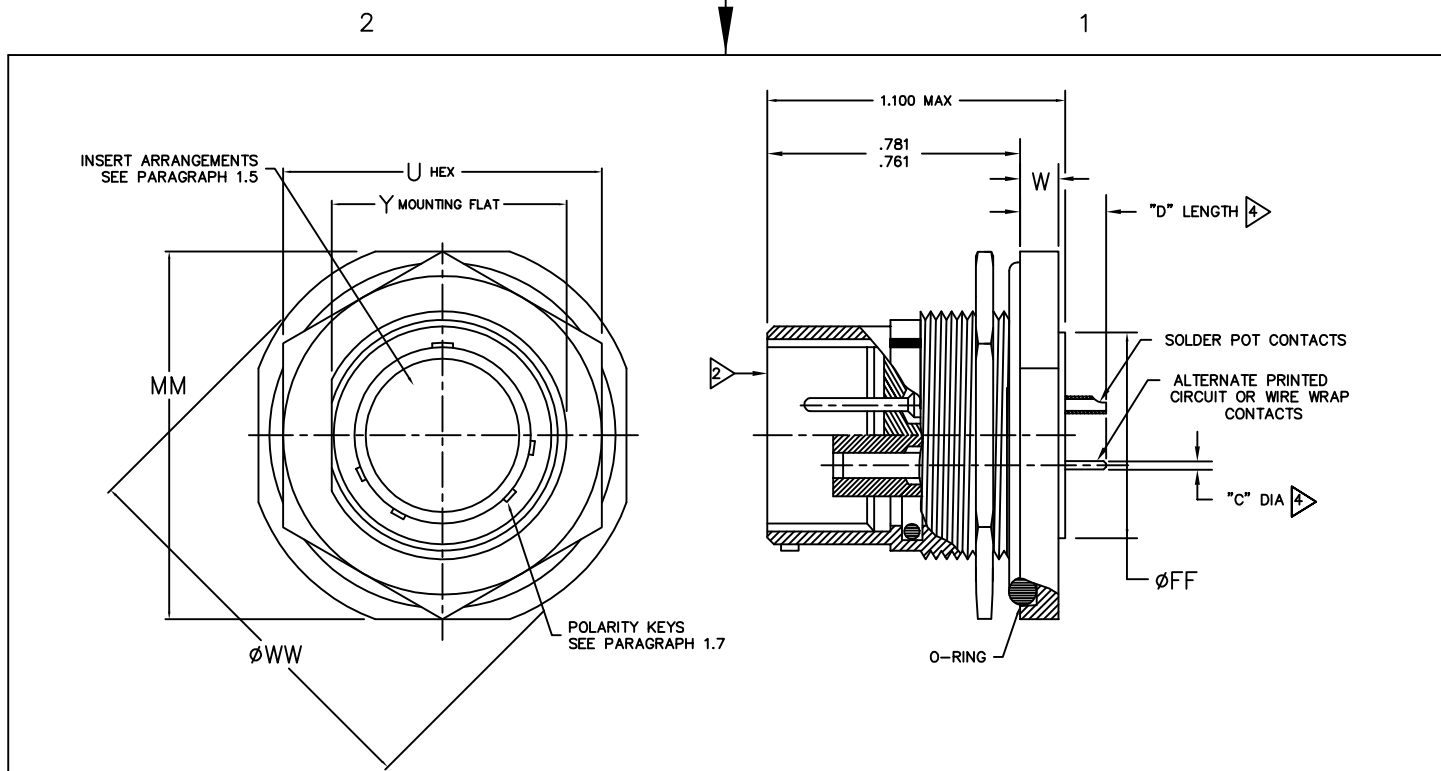
SHELL SIZE	A THREAD	øG	L	øLL	M	øFF MAXIMUM	
						ANODIZED SHELLS	CONDUCTIVE SHELLS
8	.5625-24 UNEF-2A	.559 .554	.599 .589	.125 .117	.817	.437	.500
					.807		
10	.6875-24 UNEF-2A	.694 .689	.724 .714		.941	.562	.625
					.932		
12	.875-20 UNEF-2A	.872 .865	.817 .807		1.035	.750	.750
					1.026		
14	.9375-20 UNEF-2A	.935 .930	.911 .901		1.129	.812	.875
					1.120		
16	1.0625-18 UNEF-2A	1.060 1.055	.974 .964		1.254	.938	1.000
					1.245		
18	1.1875-18 UNEF-2A	1.185 1.180	1.067 1.057		1.347	1.062	1.062
					1.338		
20	1.3125-18 UNEF-2A	1.310 1.305	1.161 1.151	1.441	1.187	1.187	
				1.432			
22	1.4375-18 UNEF-2A	1.435 1.430	1.255 1.245	1.566	1.312	1.312	
				1.557			
24	1.5625-18 UNEF-2A	1.560 1.555	1.380 1.370	1.707	1.437	1.437	
				1.698			
28	1.8125-16 UNEF-2A	1.810 1.805	1.567 1.557	2.004	1.750	1.750	
				1.995			

NOTES:

- UNLESS OTHERWISE SPECIFIED, DIMENSIONS ARE IN INCHES.
- MOUNTING AND INTERFACE DIMENSIONS SHALL BE AS SPECIFIED IN MS24264 FOR TYPE "T" CONNECTORS.
- FIGURE IS MULTI-PURPOSE. PIN AND SOCKET CONTACTS ARE NOT AVAILABLE IN THE SAME CONNECTOR, NOR ARE ALTERNATE CONTACT TERMINATION STYLES.
- SEE TABLE 5.

FIGURE 3 THREAD COUPLED
SQUARE FLANGE MOUNT CN0944C

UNITS ENGLISH	CINCH	1700 FINLEY RD LOMBARD, IL. 60148	AUTOCAD DRAWING		
			CAD FILE NUMBER CN0944_G	DRAWING NUMBER CN0944	REV G
DO NOT SCALE DRAWING	TITLE CONNECTOR, RECEPTACLE, FLANGE MOUNT MOLDED-IN CONTACTS, ENVIRONMENT RESISTANT	CAGE IDENT. NO. 71785	SIZE B	SHEET 11 OF 17	
CONFIDENTIAL <small>THIS DOCUMENT IS THE PROPERTY OF CINCH NEITHER THIS DOCUMENT NOR ANY OF THE INFORMATION CONTAINED IN IT MAY BE DUPLICATED OR DISCLOSED WITHOUT PRIOR WRITTEN CONSENT OF CINCH © COPYRIGHT 2016 CINCH</small>					



SHELL SIZE	MM	U HEX MAX.	G THREAD	W	øWW MAX.	Y FLAT	øFF MAXIMUM	
							ANODIZED SHELLS	CONDUCTIVE SHELLS
8	.984 .974	.828	.625-20 UNEF-2A	.116 .107	1.068	.596 .590	.437	.500
10	1.108 1.099	.953	.750-20 UNEF-2A		1.192	.720 .715	.562	.625
12	1.295 1.286	1.140	.9375-20 UNEF-2A		1.380	.907 .902	.750	.750
14	1.395 1.386	1.250	1.000-20 UNEF-2A		1.505	.970 .965	.812	.875
16	1.520 1.511	1.329	1.125-20 UN-2A		1.630	1.095 1.090	.938	1.000
18	1.645 1.636	1.455	1.250-20 UN-2A		1.740	1.219 1.241	1.062	1.062
20	1.770 1.761	1.642	1.375-18 UNEF-2A		1.860	1.344 1.339	1.187	1.187
22	1.959 1.949	1.705	1.500-20 UN-2A	.137 .128	2.040	1.469 1.464	1.312	1.312
24	2.083 2.074	1.892	1.625-18 UNEF-2A		2.160	1.594 1.589	1.437	1.437
28	2.328 2.319	2.084	1.875-20 UN-2A		2.411	1.850 1.845	1.750	1.750

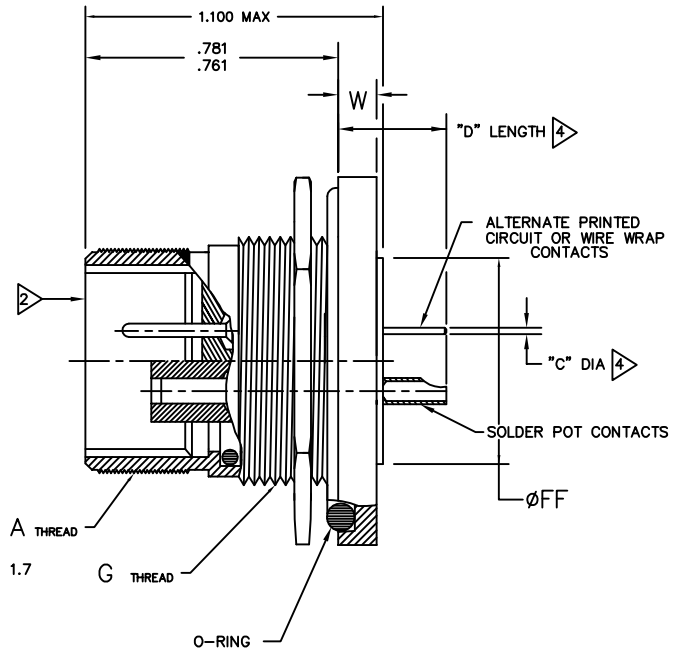
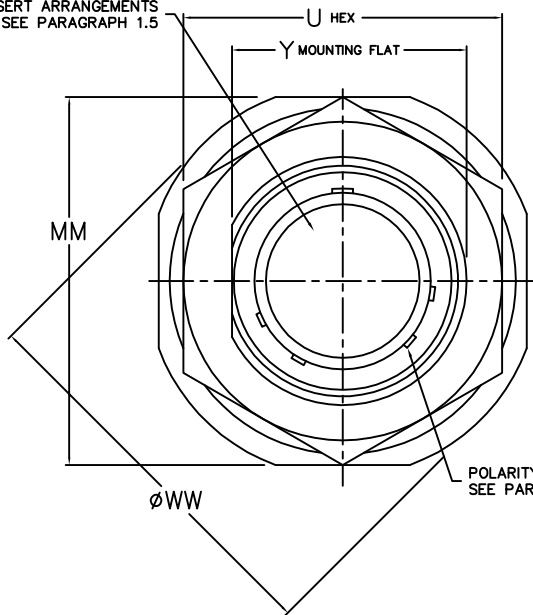
NOTES:

- UNLESS OTHERWISE SPECIFIED, DIMENSIONS ARE IN INCHES.
- MOUNTING AND INTERFACE DIMENSIONS SHALL BE AS SPECIFIED IN MS24264 FOR TYPE "T" CONNECTORS.
- FIGURE IS MULTI-PURPOSE. PIN AND SOCKET CONTACTS ARE NOT AVAILABLE IN THE SAME CONNECTOR, NOR ARE ALTERNATE CONTACT TERMINATION STYLES.
- SEE TABLE 5.

FIGURE 4 BAYONET COUPLED SINGLE HOLE MOUNT CN0944D

UNITS ENGLISH	CINCH	1700 FINLEY RD LOMBARD, IL. 60148	AUTOCAD DRAWING		
			DO NOT SCALE DRAWING	CAD FILE NUMBER CN0944_G	DRAWING NUMBER CN0944
CONFIDENTIAL	TITLE CONNECTOR, RECEPTACLE, FLANGE MOUNT MOLDED-IN CONTACTS, ENVIRONMENT RESISTANT		CAGE IDENT. NO. 71785	SIZE B	SHEET 12 OF 17
<small>THIS DOCUMENT IS THE PROPERTY OF CINCH. NEITHER THIS DOCUMENT NOR ANY OF THE INFORMATION CONTAINED IN IT MAY BE DUPLICATED OR DISCLOSED WITHOUT PRIOR WRITTEN CONSENT OF CINCH. © COPYRIGHT 2016 CINCH.</small>					

INSERT ARRANGEMENTS
SEE PARAGRAPH 1.5



SHELL SIZE	C THREAD	MM	U HEX MAX.	V THREAD	W	ØWW MAX.	Y FLAT	ØFF MAXIMUM		
								ANODIZED SHELLS	CONDUCTIVE SHELLS	
8	.5625-24 UNEF-2A	.984 .974	.828	.625-20 UNEF-2A	.116 .107	1.068	.596 .590	.437	.500	
10	.6875-24 UNEF-2A	1.108 1.099	.953	.750-20 UNEF-2A		1.192	.720 .715	.562	.625	
12	.875-20 UNEF-2A	1.295 1.286	1.140	.9375-20 UNEF-2A		1.380	.907 .902	.750	.750	
14	.9375-20 UNEF-2A	1.395 1.386	1.250	1.000-20 UNEF-2A		1.505	.970 .965	.812	.875	
16	1.0625-18 UNEF-2A	1.520 1.511	1.329	1.125-20 UN-2A		1.630	1.095 1.090	.938	1.000	
18	1.1875-18 UNEF-2A	1.645 1.636	1.455	1.250-20 UN-2A		1.740	1.219 1.241	1.062	1.062	
20	1.3125-18 UNEF-2A	1.770 1.761	1.642	1.375-18 UNEF-2A		1.860	1.344 1.339	1.187	1.187	
22	1.4375-18 UNEF-2A	1.959 1.949	1.705	1.500-20 UN-2A	.137 .128	2.040	1.469 1.464	1.312	1.312	
24	1.5625-18 UNEF-2A	2.083 2.074	1.892	1.625-18 UNEF-2A		2.160	1.594 1.589	1.437	1.437	
28	1.8125-16 UNEF-2A	2.328	2.084	1.875-20 UN-2A		2.411	1.850	1.750	1.750	1.750
		2.319					1.845			

NOTES:

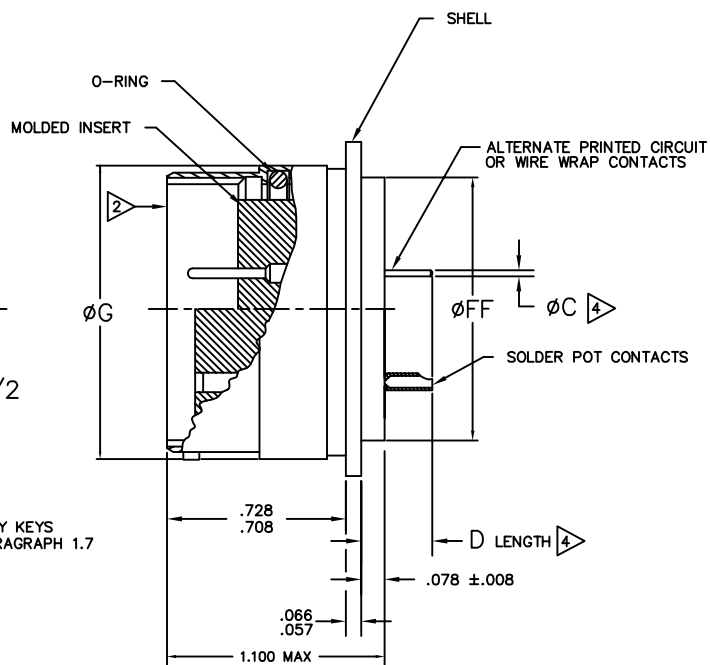
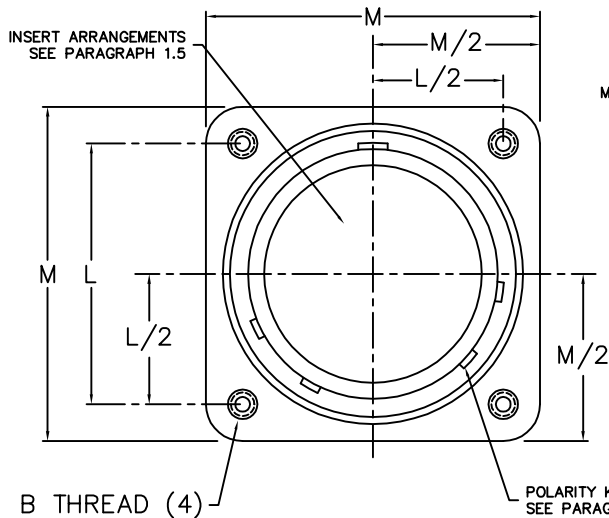
- UNLESS OTHERWISE SPECIFIED, DIMENSIONS ARE IN INCHES.
- MOUNTING AND INTERFACE DIMENSIONS SHALL BE AS SPECIFIED IN MS24264 FOR TYPE "T" CONNECTORS.
- FIGURE IS MULTI-PURPOSE. PIN AND SOCKET CONTACTS ARE NOT AVAILABLE IN THE SAME CONNECTOR, NOR ARE ALTERNATE CONTACT TERMINATION STYLES.
- SEE TABLE 5.

FIGURE 5 THREADED COUPLED
JAM NUT MOUNT CN0944E

UNITS ENGLISH	CINCH	1700 FINLEY RD LOMBARD, IL. 60148	AUTOCAD DRAWING		
			CAD FILE NUMBER CN0944_G	DRAWING NUMBER CN0944	REV G
DO NOT SCALE DRAWING	TITLE CONNECTOR, RECEPTACLE, FLANGE MOUNT MOLDED-IN CONTACTS, ENVIRONMENT RESISTANT		CAGE IDENT. NO. 71785	SIZE B	SHEET 13 OF 17

2

1



SHELL SIZE	ϕG	L	B THREAD	M	ϕFF MAXIMUM	
					ANODIZED SHELLS	CONDUCTIVE SHELLS
8	.559	.599	4-40	.817	.437	.500
	.554	.589		.807		
10	.694	.724		.941	.562	.625
	.689	.714		.932		
12	.872	.817		1.035	.750	.750
	.865	.807		1.026		
14	.935	.911		1.129	.812	.875
	.930	.901		1.120		
16	1.060	.974		1.254	.938	1.000
	1.055	.964		1.245		
18	1.185	1.067		1.347	1.062	1.062
	1.180	1.057		1.338		
20	1.310	1.161	1.441	1.187	1.187	
	1.305	1.151	1.432			
22	1.435	1.255	1.566	1.312	1.312	
	1.430	1.245	1.557			
24	1.560	1.380	1.707	1.437	1.437	
	1.555	1.370	1.698			
28	1.810	1.567	2.004	1.750	1.750	
	1.805	1.557	1.995			

NOTES:

1. UNLESS OTHERWISE SPECIFIED, DIMENSIONS ARE IN INCHES.

2. MOUNTING AND INTERFACE DIMENSIONS SHALL BE AS SPECIFIED IN MS24264 FOR TYPE "B" CONNECTORS.

3. FIGURE IS MULTI-PURPOSE. PIN AND SOCKET CONTACTS ARE NOT AVAILABLE IN THE SAME CONNECTOR, NOR ARE ALTERNATE CONTACT TERMINATION STYLES.

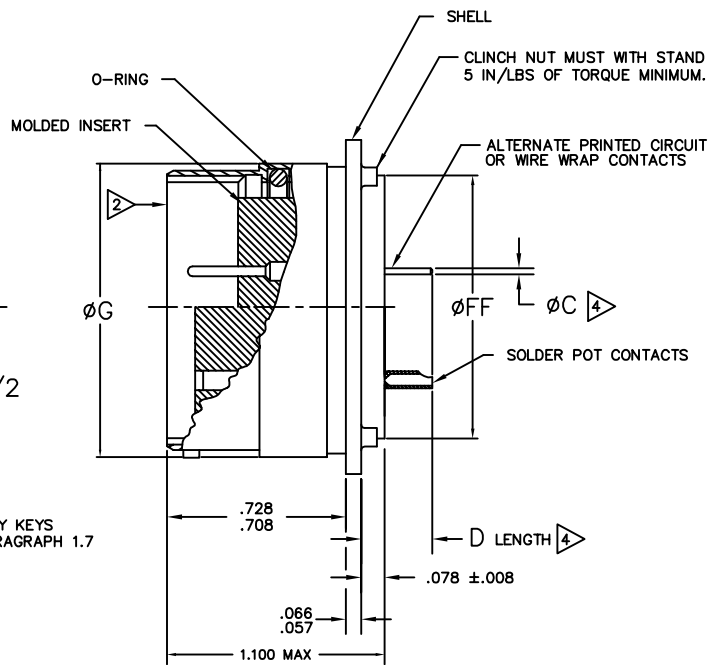
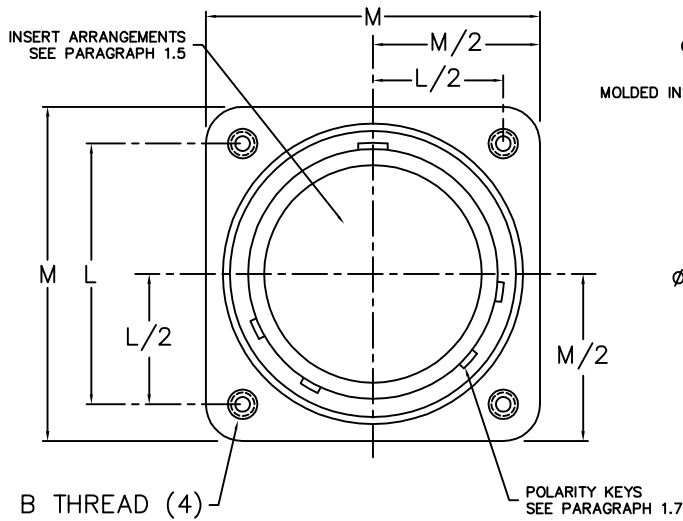
4. SEE TABLE 5.

FIGURE 6 BAYONET COUPLED
SQUARE FLANGE MOUNT CN0944F

UNITS	ENGLISH	CINCH		AUTOCAD DRAWING		
DO NOT SCALE DRAWING		1700 FINLEY RD LOMBARD, IL. 60148				
CONFIDENTIAL		TITLE		CAD FILE NUMBER	DRAWING NUMBER	REV
THIS DOCUMENT IS THE PROPERTY OF CINCH NEITHER THIS DOCUMENT NOR ANY OF THE INFORMATION CONTAINED IN IT MAY BE DUPLICATED OR DISCLOSED WITHOUT PRIOR WRITTEN CONSENT OF CINCH © COPYRIGHT 2016 CINCH		CONNECTOR, RECEPTACLE, FLANGE MOUNT MOLDED-IN CONTACTS, ENVIRONMENT RESISTANT		CN0944_G	CN0944	G
				CAGE IDENT. NO. 71785	SIZE B	SHEET 14 OF 17

2

1



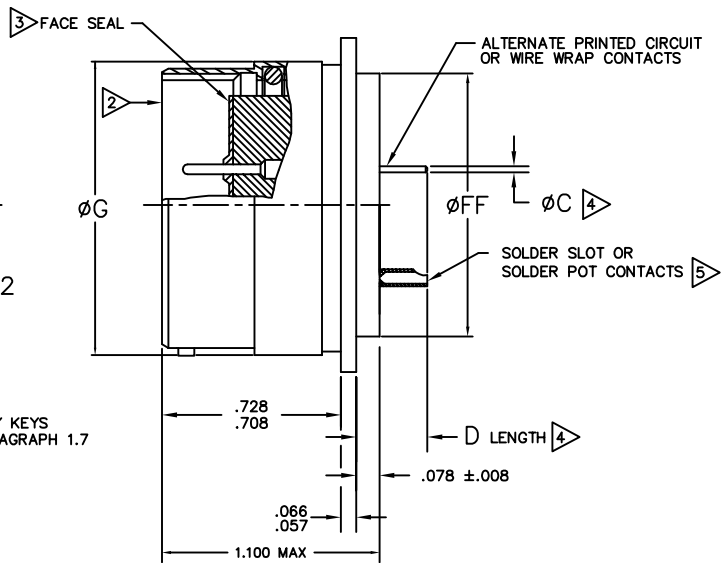
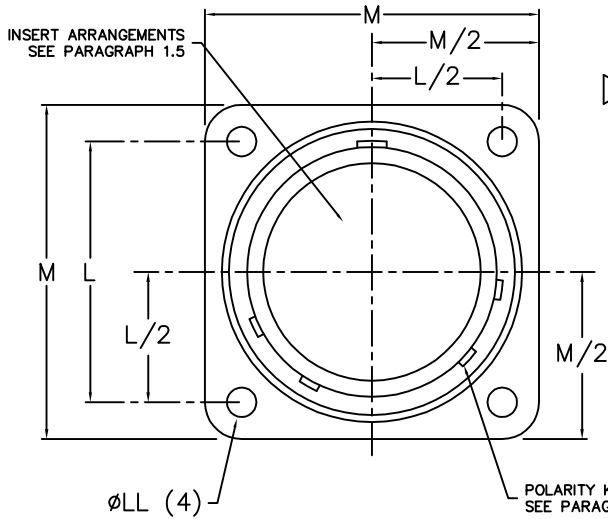
SHELL SIZE	ϕG	L	B THREAD	M	ϕFF MAXIMUM	
					ANODIZED SHELLS	CONDUCTIVE SHELLS
8	.559	.599	4-40	.817	.437	.500
	.554	.589		.807		
10	.694	.724		.941	.562	.625
	.689	.714		.932		
12	.872	.817		1.035	.750	.750
	.865	.807		1.026		
14	.935	.911		1.129	.812	.875
	.930	.901		1.120		
16	1.060	.974		1.254	.938	1.000
	1.055	.964		1.245		
18	1.185	1.067		1.347	1.062	1.062
	1.180	1.057		1.338		
20	1.310	1.161	1.441	1.187	1.187	
	1.305	1.151	1.432			
22	1.435	1.255	1.566	1.312	1.312	
	1.430	1.245	1.557			
24	1.560	1.380	1.707	1.437	1.437	
	1.555	1.370	1.698			
28	1.810	1.567	2.004	1.750	1.750	
	1.805	1.557	1.995			

NOTES:

- UNLESS OTHERWISE SPECIFIED, DIMENSIONS ARE IN INCHES.
- MOUNTING AND INTERFACE DIMENSIONS SHALL BE AS SPECIFIED IN MS24264 FOR TYPE "B" CONNECTORS.
- FIGURE IS MULTI-PURPOSE. PIN AND SOCKET CONTACTS ARE NOT AVAILABLE IN THE SAME CONNECTOR, NOR ARE ALTERNATE CONTACT TERMINATION STYLES.
- SEE TABLE 5.

FIGURE 7 BAYONET COUPLED SQUARE FLANGE MOUNT CN0944G

UNITS ENGLISH	CINCH	1700 FINLEY RD LOMBARD, IL. 60148	AUTOCAD DRAWING		
			CAD FILE NUMBER CN0944_G	DRAWING NUMBER CN0944	REV G
DO NOT SCALE DRAWING	TITLE CONNECTOR, RECEPTACLE, FLANGE MOUNT MOLDED-IN CONTACTS, ENVIRONMENT RESISTANT		CAGE IDENT. NO. 71785	SIZE B	SHEET 15 OF 17
<small>THIS DOCUMENT IS THE PROPERTY OF CINCH. NEITHER THIS DOCUMENT NOR ANY OF THE INFORMATION CONTAINED IN IT MAY BE DUPLICATED OR DISCLOSED WITHOUT PRIOR WRITTEN CONSENT OF CINCH. © COPYRIGHT 2016 CINCH.</small>					



SHELL SIZE	ϕG	L	ϕLL	M	ϕFF MAXIMUM	
					ANODIZED SHELLS	CONDUCTIVE SHELLS
8	.559	.599	.125	.817	.437	.500
	.554	.589		.807		
10	.694	.724		.941	.562	.625
	.689	.714		.932		
12	.872	.817		1.035	.750	.750
	.865	.807		1.026		
14	.935	.911		1.129	.812	.875
	.930	.901		1.120		
16	1.060	.974		1.254	.938	1.000
	1.055	.964		1.245		
18	1.185	1.067		1.347	1.062	1.062
	1.180	1.057		1.338		
20	1.310	1.161	1.441	1.187	1.187	
	1.305	1.151	1.432			
22	1.435	1.255	1.566	1.312	1.312	
	1.430	1.245	1.557			
24	1.560	1.380	1.707	1.437	1.437	
	1.555	1.370	1.698			
28	1.810	1.567	2.004	1.750	1.750	
	1.805	1.557	1.995			

NOTES:

1. UNLESS OTHERWISE SPECIFIED, DIMENSIONS ARE IN INCHES.

2. MOUNTING AND INTERFACE DIMENSIONS SHALL BE AS SPECIFIED IN MS24264 FOR TYPE "B" CONNECTORS.

3. SEALING RISERS ON FACE SEAL COMPLY WITH MIL-C-83723, SERIES III DESIGN.

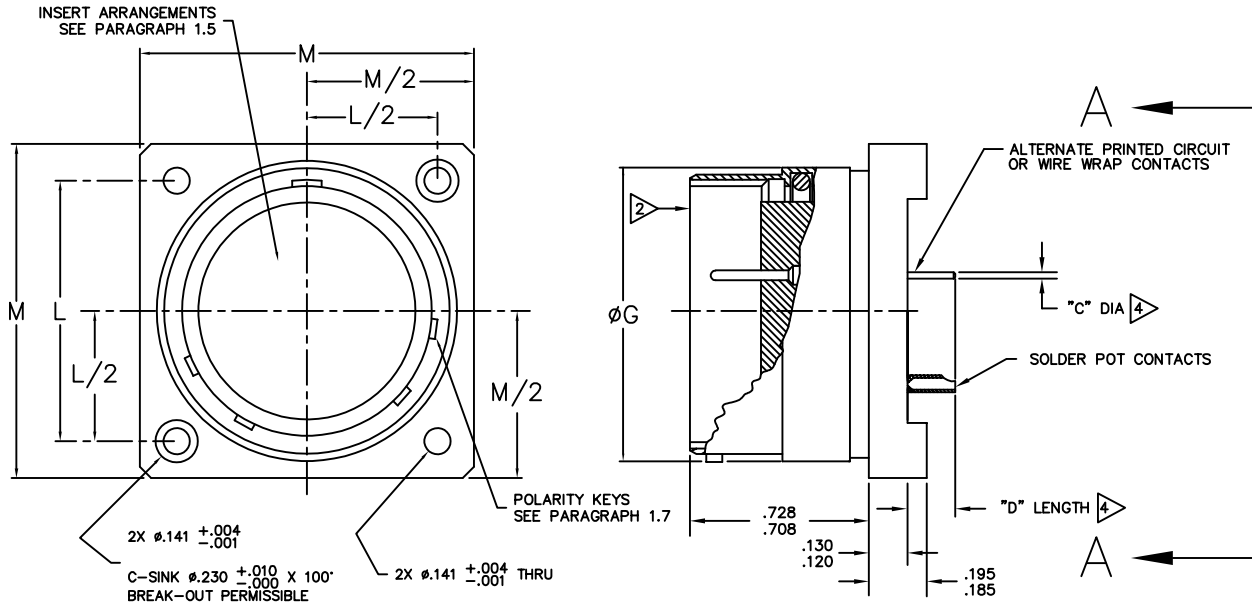
4. SEE TABLE 5.

FIGURE 8 BAYONET COUPLED SQUARE FLANGE MOUNT CN0944M

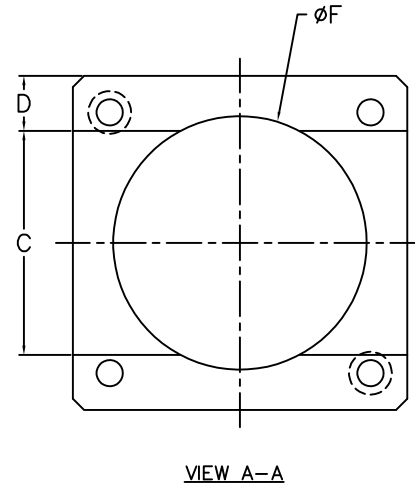
UNITS ENGLISH	CINCH	1700 FINLEY RD LOMBARD, IL. 60148	AUTOCAD DRAWING		
			CAD FILE NUMBER CN0944_G	DRAWING NUMBER CN0944	REV G
DO NOT SCALE DRAWING	TITLE CONNECTOR, RECEPTACLE, FLANGE MOUNT MOLDED-IN CONTACTS, ENVIRONMENT RESISTANT	CAGE IDENT. NO. 71785	SIZE B	SHEET 16 OF 17	
CONFIDENTIAL <small>THIS DOCUMENT IS THE PROPERTY OF CINCH. NEITHER THIS DOCUMENT NOR ANY OF THE INFORMATION CONTAINED IN IT MAY BE DUPLICATED OR DISCLOSED WITHOUT PRIOR WRITTEN CONSENT OF CINCH. © COPYRIGHT 2016 CINCH.</small>					

2

1



SHELL SIZE	C	D	ØF	ØG	L	M
8						
10	.430 .420	.249 .239	.464 .454	.694 .689	.724 .714	.941 .932
12						
14						
16						
18						
20	1.005 .995	.225 .215	1.065 1.055	1.310 1.305	1.161 1.151	1.441 1.432
22						
24	1.155 1.145	.281 .271	1.311 1.301	1.560 1.555	1.380 1.370	1.707 1.698
28						



VIEW A-A

NOTES:

- UNLESS OTHERWISE SPECIFIED, DIMENSIONS ARE IN INCHES.
- MOUNTING AND INTERFACE DIMENSIONS SHALL BE AS SPECIFIED IN MS24264 FOR TYPE "B" CONNECTORS.
- FIGURE IS MULTI-PURPOSE. PIN AND SOCKET CONTACTS ARE NOT AVAILABLE IN THE SAME CONNECTOR, NOR ARE ALTERNATE CONTACT TERMINATION STYLES.
- SEE PARAGRAPH 1.8.

FIGURE 9 BAYONET COUPLED
SPECIAL FLANGE MOUNT CN0944H

UNITS ENGLISH	CINCH	1700 FINLEY RD LOMBARD, IL. 60148	AUTOCAD DRAWING		
			CAD FILE NUMBER CN0944 G	DRAWING NUMBER CN0944	REV G
DO NOT SCALE DRAWING	TITLE CONNECTOR, RECEPTACLE, FLANGE MOUNT MOLDED-IN CONTACTS, ENVIRONMENT RESISTANT		CAGE IDENT. NO. 71785	SIZE B	SHEET 17 OF 17
CONFIDENTIAL <small>THIS DOCUMENT IS THE PROPERTY OF CINCH NEITHER THIS DOCUMENT NOR ANY OF THE INFORMATION CONTAINED IN IT MAY BE DUPLICATED OR DISCLOSED WITHOUT PRIOR WRITTEN CONSENT OF CINCH © COPYRIGHT 2016 CINCH</small>					

2

1