

THE INFORMATION CONTAINED HEREIN IS CONSIDERED "PROPRIETARY" TO BEL FUSE INC. AND SHALL NOT BE COPIED, REPRODUCED OR DISCLOSED WITHOUT THE WRITTEN APPROVAL OF BEL FUSE INC.

LED 1 POLARITY			LED 2 POLARITY		
PIN 17	PIN 18	COLOR	PIN 19	PIN 20	COLOR
-	+	YELLOW	+	-	ORANGE
			-	+	GREEN



**ELECTRICAL CHARACTERISTICS @ 25°C**

**URNS RATIO**

TP1	1CT : 1CT ±2%
TP2	1CT : 1CT ±2%
TP3	1CT : 1CT ±2%
TP4	1CT : 1CT ±2%

**DCL @ 100kHz/100mVRMS (4CHANNEL)**

8mA DC BIAS	350µH MIN.
23mA DC BIAS	120µH MIN.

**INS. LOSS**

0.1MHz TO 1MHz	-1.1 dB MAX
1MHz TO 65MHz	-0.8 dB MAX
65MHz TO 100MHz	-1.0 dB MAX
100MHz TO 125MHz	-1.2 dB MAX

**RET. LOSS (MIN)**

0.5MHz-40MHz	-18 dB
40MHz-100MHz	-12+20LOG(f/80MHz) dB

**CM TO CM REJ**

100kHz - 100MHz	-30 dB MIN
-----------------	------------

**CM TO DM REJ**

100kHz - 100MHz	-35 dB MIN
-----------------	------------

**HIPOT (Isolation Voltage):**

2250 VDC  
100% OF PRODUCTION TESTED TO COMPLY  
WITH IEEE 802.3 ISOLATION REQUIREMENTS

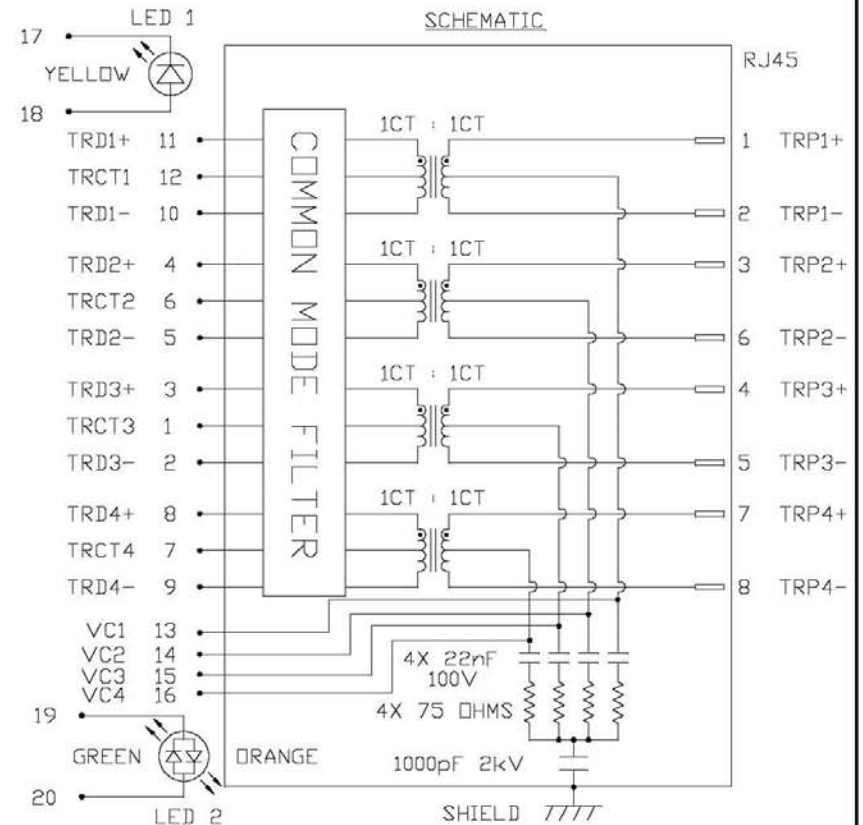
**BALANCED DC LINE CURRENT 1A MAX CONTINUOUS**

1.2 A MAX, FOR 200 MILLISECONDS

LED 1	
VF (FORWARD VOLTAGE)	IF=20mA YELLOW 2.1V TYP.
λD (DOMINANT WAVELENGTH)	IF=20mA YELLOW 590nm TYP.

LED 2	
VF (FORWARD VOLTAGE)	IF=20mA GREEN 2.2V TYP.
	ORANGE 2.0V TYP.
λD (DOMINANT WAVELENGTH)	IF=20mA GREEN 570nm TYP.
	ORANGE 605nm TYP.

OPERATING TEMPERATURE: -40°C TO 100°C



REV. : PA PAGE : 2

ORIGINATED BY CHOW WANCHUNG DATE 2018-11-19	TITLE 1X2 g1gabit MagJack® (4PPoE, 100W, Extended Temp.) DRAWN BY XIE YIMING DATE 2018-11-19	PART NO. / DRAWING NO. 08261X4THS-F	STANDARD DIM. TOL. IN INCH	[ ] METRIC DIM. AS REF.
		FILE NAME 0826-1X4T-HS-F PATENTED	.X	UNIT : INCH [mm]
		08261X4THS-F_PA.DWG	.XX	SCALE : N/A
			.XXX	SIZE : A4

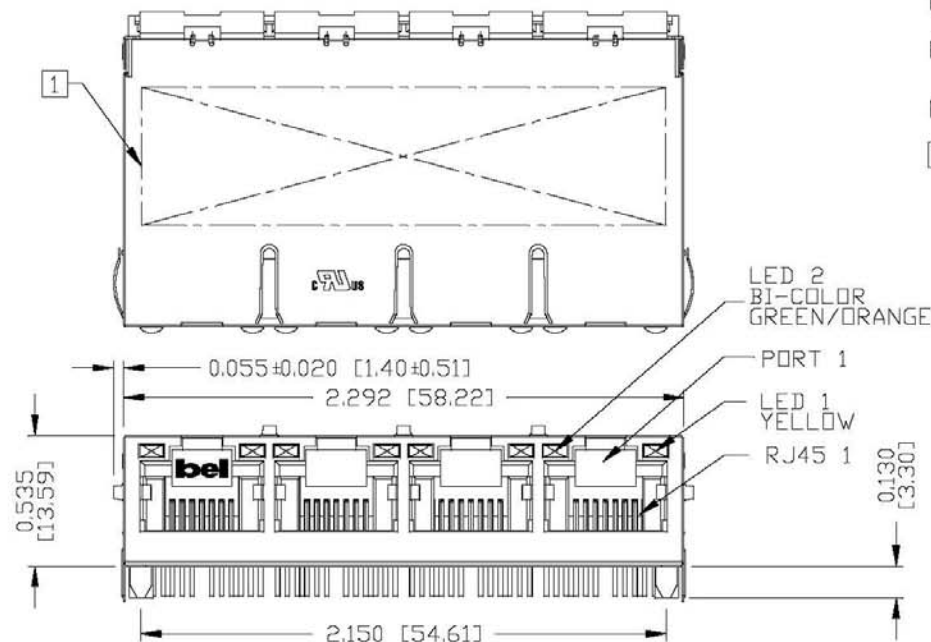


THE INFORMATION CONTAINED HEREIN IS CONSIDERED "PROPRIETARY" TO BEL FUSE INC. AND SHALL NOT BE COPIED, REPRODUCED OR DISCLOSED WITHOUT THE WRITTEN APPROVAL OF BEL FUSE INC.

RoHS



REMARK:  
CURRENTLY NOT BOTTOM PLATE TOOLING.

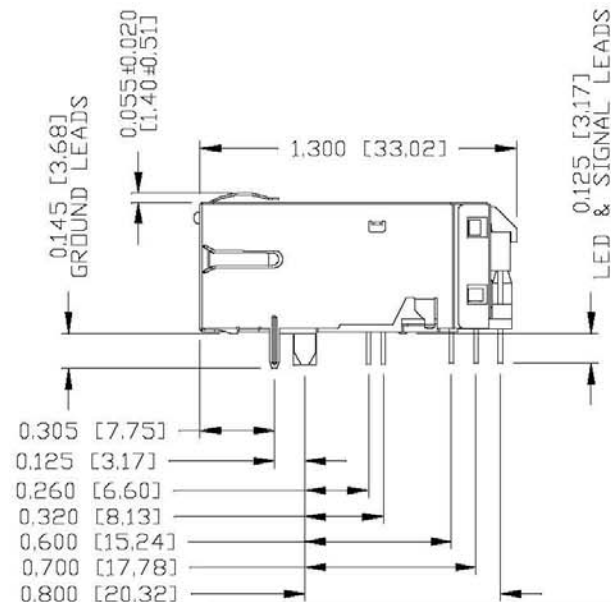


NOTES:

- PLASTIC HOUSING: THERMOPLASTIC PBT, BLACK  
FLAMMABILITY RATING UL 94V-0
- CONTACTS PLATING: 50 MICRO-INCH HARD GOLD PLATING  
OR EQUIVALENT.
- PINS: TIN-COATED COPPER WIRE, DIA 0.018 INCH,  
100 MICRO-INCH MIN MATTE TIN,  
PINS ARE SOLDER DIPPED.
- METAL SHIELD: NICKEL PLATED ON COPPER ALLOY,  
(ALL GROUND LEADS ARE SOLDER DIPPED)

[1] MARK PART WITH MFG LOGO, MFG NAME, PART NUMBER,  
DATE CODE AND PATENTED.

UL RECOGNIZED - FILE #E196366 AND E169987.



2. THE PRODUCT IS RoHS COMPLIANT.
3. JACK CAVITY CONFORMS TO FCC RULES AND REGULATIONS.  
PART 68 SUBPART F.
4. THE PRODUCT IS PATENTED, THE PATENT NUMBER IS  
U.S. PAT. 7,123,117.
5. THE PART IS RECOMMENDED FOR WAVE SOLDERING. THE  
SUGGESTED PEAK WAVE SOLDERING CONDITION IS 260°C  
MAX AND 10 SECONDS MAX.

REV. : PA PAGE : 3

ORIGINATED BY LI QUANKUN DATE 2018-11-19	TITLE 1X4 gJgabit MagJack® (4PPoE, 100W, Extended Temp.)	PART NO. / DRAWING NO. 08261X4THS-F	STANDARD DIM. TOL. IN INCH	[ ] METRIC DIM. AS REF.	
DRAWN BY LV YONGDONG DATE 2018-11-19	FILE NAME 0826-1X4T-HS-F PATENTED	08261X4THS-F_PA.DWG	.X	UNIT : INCH [mm]	
			.XX	SCALE : N/A	
			.XXX ±0.010	SIZE : A4	

DC002(2)120214

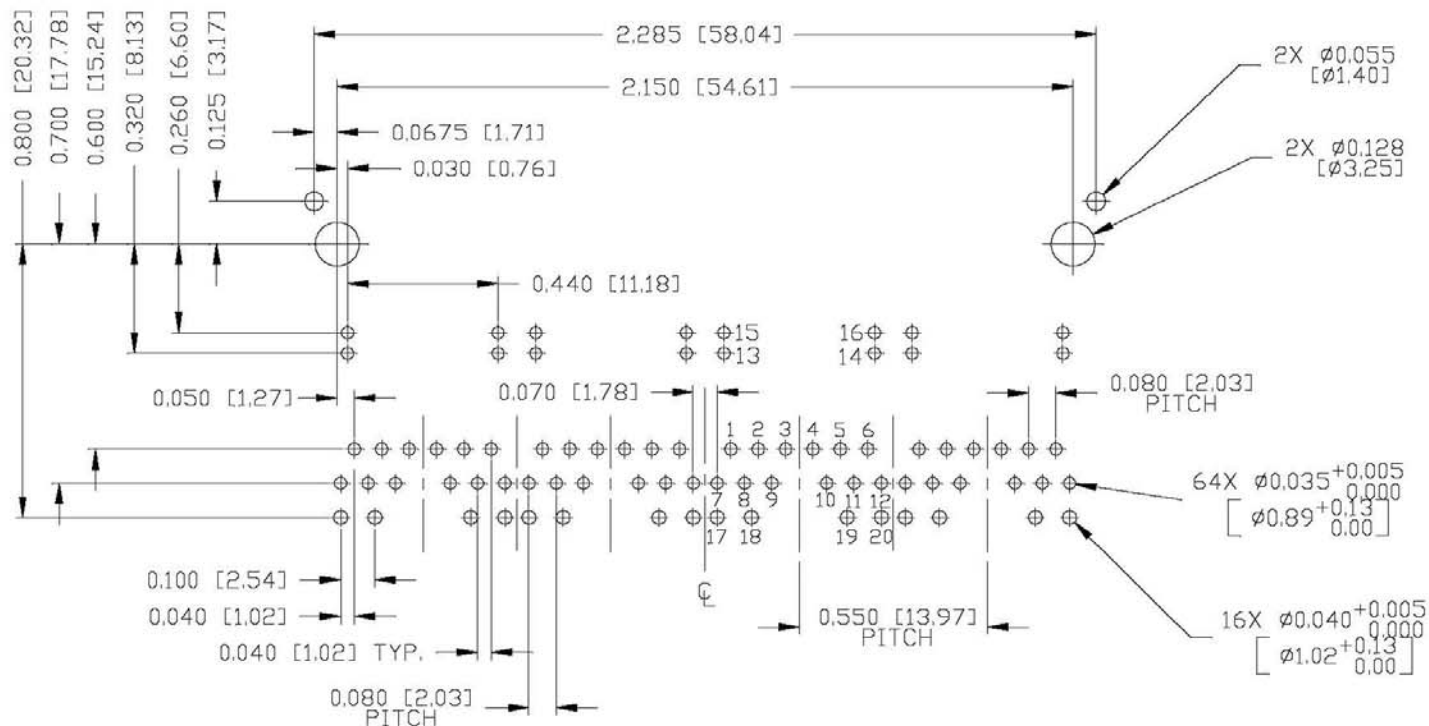
This document is electronically generated. This is a controlled copy if used internally

THE INFORMATION CONTAINED HEREIN IS CONSIDERED "PROPRIETARY" TO BEL FUSE INC. AND SHALL NOT BE COPIED, REPRODUCED OR DISCLOSED WITHOUT THE WRITTEN APPROVAL OF BEL FUSE INC.

RoHS



RECOMMENDED PCB FOOTPRINT  
COMPONENT SIDE VIEW



ORIGINATED BY  
LI QUANKUN  
DATE 2018-11-19  
DRAWN BY  
LV YONGDONG  
DATE 2018-11-19

TITLE  
1X4 glgabit MagJack®  
(4PPoE, 100W, Extended Temp.)  
0826-1X4T-HS-F  
PATENTED

PART NO. / DRAWING NO.  
08261X4THS-F  
FILE NAME  
08261X4THS-F\_PA.DWG

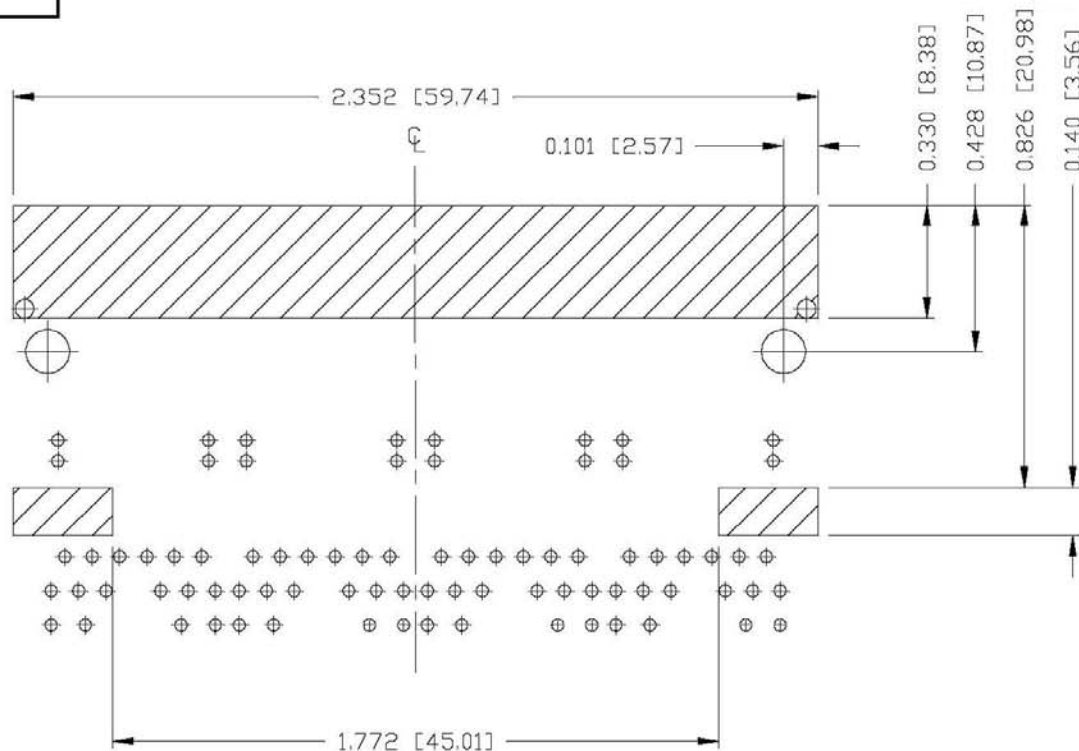
STANDARD DIM. TOL. IN INCH	[ ] METRIC DIM. AS REF.
.X	UNIT : INCH [mm]
.XX	SCALE : N/A
.XXX	±0.004
	SIZE : A4

REV. : PA	PAGE : 4
-----------	----------

bel MAGNETIC SOLUTIONS  
a bel group

THE INFORMATION CONTAINED HEREIN IS CONSIDERED "PROPRIETARY" TO BEL FUSE INC. AND SHALL NOT BE COPIED, REPRODUCED OR DISCLOSED WITHOUT THE WRITTEN APPROVAL OF BEL FUSE INC.

RoHS



**NOTES:**

THE SHADED AREA ON THE CUSTOMER BOARD ARE RECOMMENDED TO BE CLEAR OFF ANY VIA HOLE OR COMPONENT PAD.

ORIGINATED BY  
LI QUANKUN  
DATE 2018-11-19  
DRAWN BY  
LV YONGDONG  
DATE 2018-11-19

TITLE  
1X4 glgabit MagJack®  
(4PPoE, 100W, Extended Temp.)  
0826-1X4T-HS-F  
PATENTED

PART NO. / DRAWING NO.  
08261X4THS-F  
FILE NAME  
08261X4THS-F\_PA.DWG

STANDARD DIM. TOL. IN INCH	[ ] METRIC DIM. AS REF.
.X	UNIT : INCH [mm]
.XX	SCALE : N/A
.XXX ±0.004	SIZE : A4

REV. : PA PAGE : 5



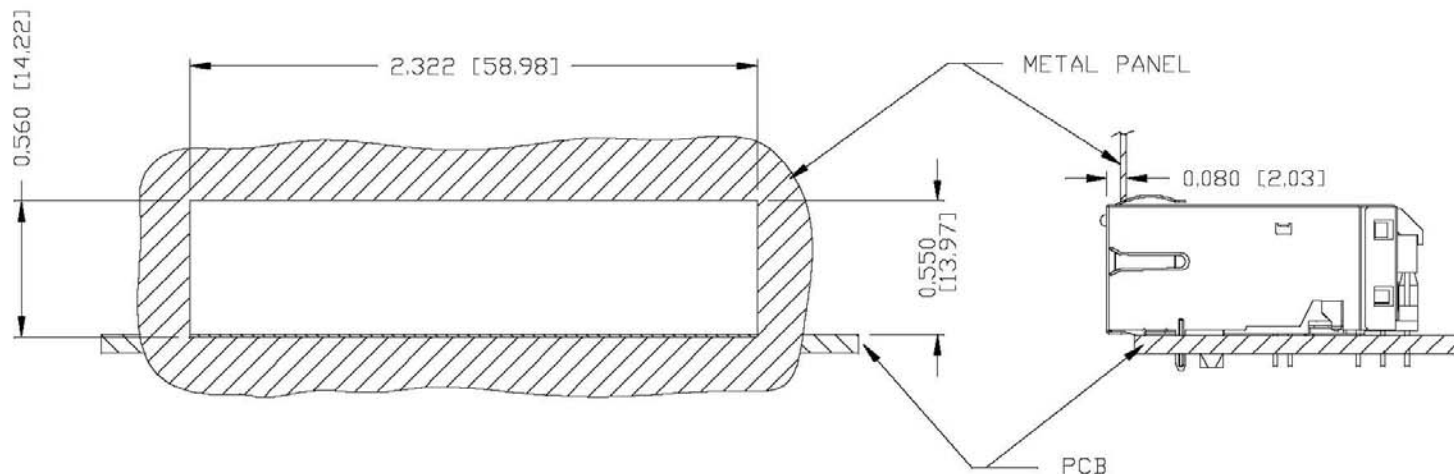


THE INFORMATION CONTAINED HEREIN IS CONSIDERED "PROPRIETARY" TO BEL FUSE INC. AND SHALL NOT BE COPIED, REPRODUCED OR DISCLOSED WITHOUT THE WRITTEN APPROVAL OF BEL FUSE INC.

RoHS



SUGGESTED PANEL OPENING



NOTES:

THE DISTANCE OF PANEL INSIDE SURFACE RELATIVE TO FRONT SURFACE OF PART IS ONLY A SUGGESTION. IN CASE THIS DISTANCE IS DIFFERENT, THE REQUIRED PANEL OPENING DIMENSIONS CHANGE ACCORDINGLY.

PACKING INFORMATION

PACKING TRAY : 0200-9999-B4 (TOP)  
0200-9999-B5 (BOTTOM)

PACKING QUANTITY : 24 PCS FINISHED GOODS PER TRAY  
10 TRAYS (240 PCS FINISHED GOODS) PER CARTON BOX

NOTE : CARDBOARDS ARE PLACED BETWEEN LAYERS OF PACKING TRAY INSIDE CARTON BOX  
(INCLUDE THE UPPERMOST AND LOWERMOST TRAY)

REV. : PA PAGE : 6

ORIGINATED BY LI QUANKUN DATE 2018-11-19	TITLE 1X4 glgabit MagJack® (4PPoE, 100W, Extended Temp.)	PART NO. / DRAWING NO. 08261X4THS-F	STANDARD DIM. [ ] METRIC DIM.	
			TOL. IN INCH	AS REF.
			.X	UNIT : INCH [mm]
DRAWN BY LV YONGDONG DATE 2018-11-19	0826-1X4T-HS-F PATENTED	FILE NAME 08261X4THS-F_PA.DWG	.XX	SCALE : N/A
			.XXX	±0.005
			⊕	SIZE : A4

