

THE INFORMATION CONTAINED HEREIN IS CONSIDERED "PROPRIETARY" TO BEL FUSE INC. AND SHALL NOT BE COPIED, REPRODUCED OR DISCLOSED WITHOUT THE WRITTEN APPROVAL OF BEL FUSE INC.

LED 2 & 4 POLARITY		LED 1 & 3 POLARITY	
PIN 13	PIN 14	PIN 15	PIN 16
+	-	+	-
YELLOW	YELLOW	+	+
		-	DRANGE

ELECTRICAL CHARACTERISTICS @ 25°C

URNS RATIO
 TP1 1CT : 1CT
 TP2 1CT : 1CT
 TP3 1CT : 1CT
 TP4 1CT : 1CT

INS. LOSS (MAX)
 1MHz TO 20MHz -0.8 dB
 50MHz -1.0 dB
 200MHz -1.2 dB
 400MHz -2.0 dB
 500MHz -3.0 dB

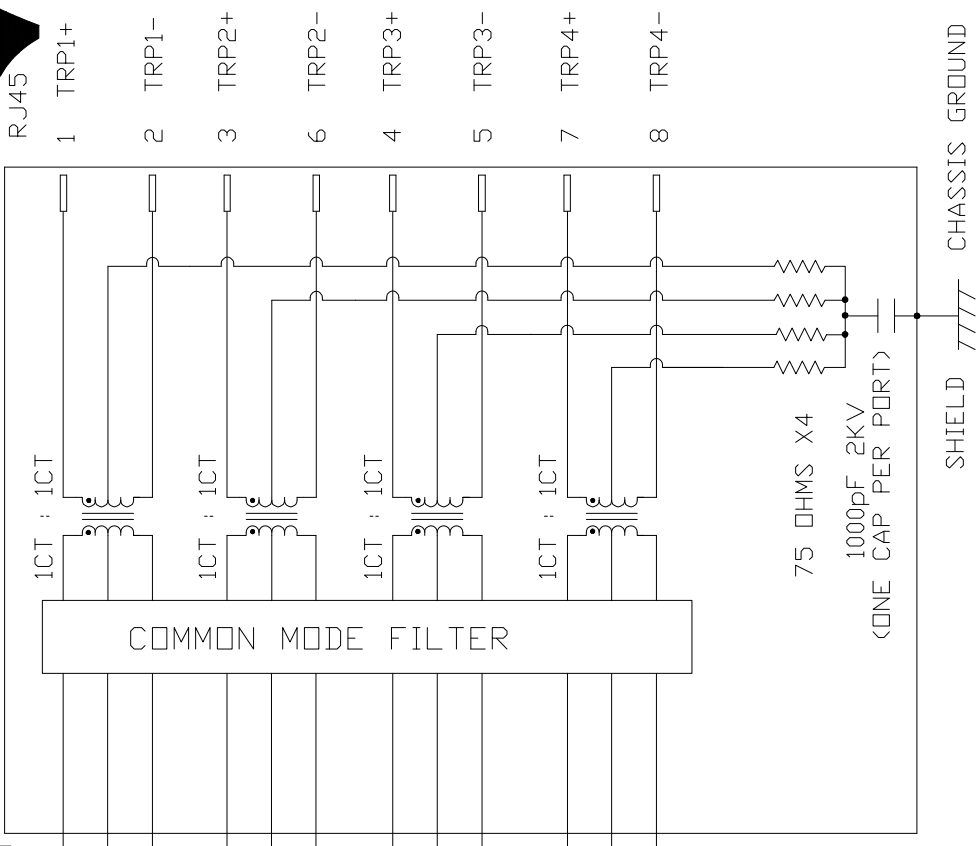
RET. LOSS (MIN) _FORM TESTING
 1MHz -20 dB
 2MHz -20 dB
 100MHz -20 dB
 200MHz -17 dB
 300MHz -13 dB
 400MHz -10 dB
 500MHz -6 dB

CM TO DM REJ
 1MHz - 500MHz -30 dB MIN
HIPOT (Isolation Voltage): 2250VDC
 100% OF PRODUCTION TESTED TO COMPLY WITH IEEE 802.3 ISOLATION REQUIREMENTS.

LED 1 & 3
 VF (FORWARD VOLTAGE) IF=20mA GREEN 2.2V TYP.
 ORANGE 2.0V TYP.
 GREEN 570nm TYP.
 ORANGE 605nm TYP.
LED 2 & 4
 VF (FORWARD VOLTAGE) IF=20mA YELLOW 2.1V TYP.
 AD (DOMINANT WAVELENGTH) IF=20mA YELLOW 590nm TYP.
 OPERATING TEMPERATURE: -40°C TO +85°C.



SCHEMATIC



ORIGINATED BY	CHOW WANCHUNG
DATE	2023-08-07
DRAWN BY	YI LIU
DATE	2023-08-07

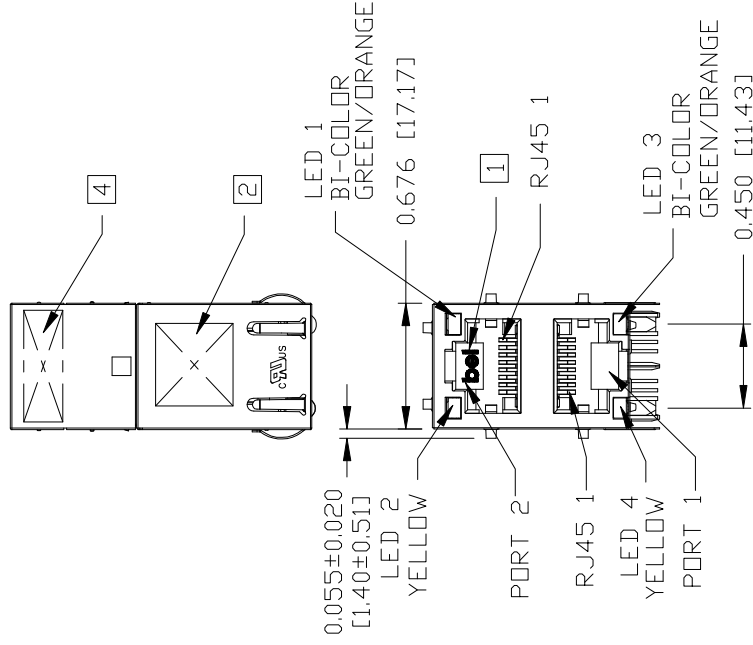
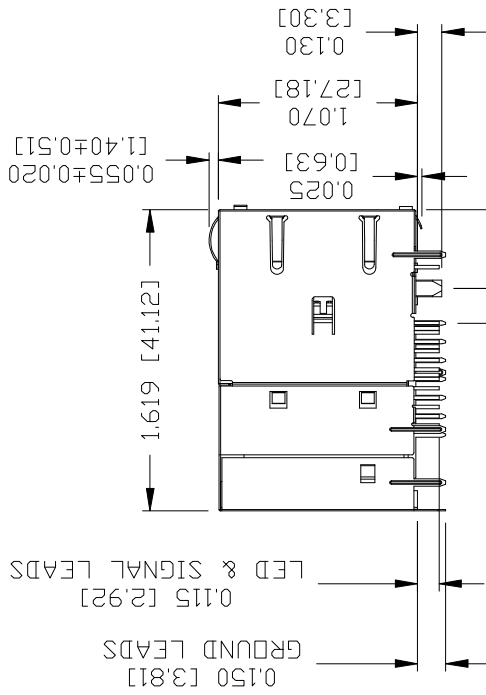
TITLE	2X1 10 Gigabit MagJack®
PART NO. / DRAWING NO.	G23-21YR-112-L
FILE NAME	G23-21YR-112-L_1.DWG
PATENTED	

STANDARD DIM. TOL. IN INCH	[] METRIC DIM. AS REF.
.X	UNIT : INCH [mm]
.XX	SCALE : N/A
.XXX	SIZE : A4
REV. : 1	PAGE : 2



This document is electronically generated. This is a controlled copy if used internally

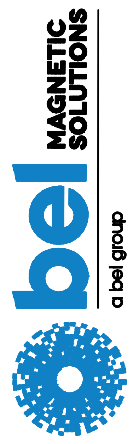
THE INFORMATION CONTAINED HEREIN IS CONSIDERED "PROPRIETARY" TO BEL FUSE INC. AND SHALL NOT BE COPIED, REPRODUCED OR DISCLOSED WITHOUT THE WRITTEN APPROVAL OF BEL FUSE INC.



NOTES:

- 1. JACK CAVITY CONFORMS TO FCC RULES AND REGULATIONS, PART 68 SUBPART F.
- 2. MARK PART WITH MFG LOGO, NAME, PART NUMBER AND DATE CODE.
- 3. THE PRODUCT IS RoHS COMPLIANT
 c UsUL RECOGNIZED - FILE #E169987.
- 4. THE PRODUCT IS PATENTED. "PATENTED" MARKING IS ON THE TOP SURFACE. THE PATENT NUMBER ARE U.S. PAT. 7,429,195 & U.S. PAT. 6,840,817 & U.S. PAT. 7,123,117 AND U.S. PAT. 7,924,130.
- 5. THE AXIAL RETENTION FORCE OF RJ PORT IS 15LBS MIN.
- 6. THE PART IS RECOMMENDED FOR WAVE SOLDERING. THE SUGGESTED PEAK WAVE SOLDERING CONDITION IS 260°C MAX AND 10 SECONDS MAX.

ORIGINATED BY TONY YUAN DATE 2023-08-07 DRAWN BY JARRY YE DATE 2023-08-07		TITLE 2X1 10 Gigabit MagJack® PATENTED		PART NO. / DRAWING NO. G23-21YR-112-L FILE NAME G23-21YR-112-L-1.DWG	STANDARD DIM. TOL. IN INCH .X .XX .XXX	[] METRIC DIM. AS REF. UNIT : INCH [mm] SCALE : N/A ±0.010 SIZE : A4	REV. : 1 PAGE : 3
--	--	---	--	---	---	--	------------------------------------

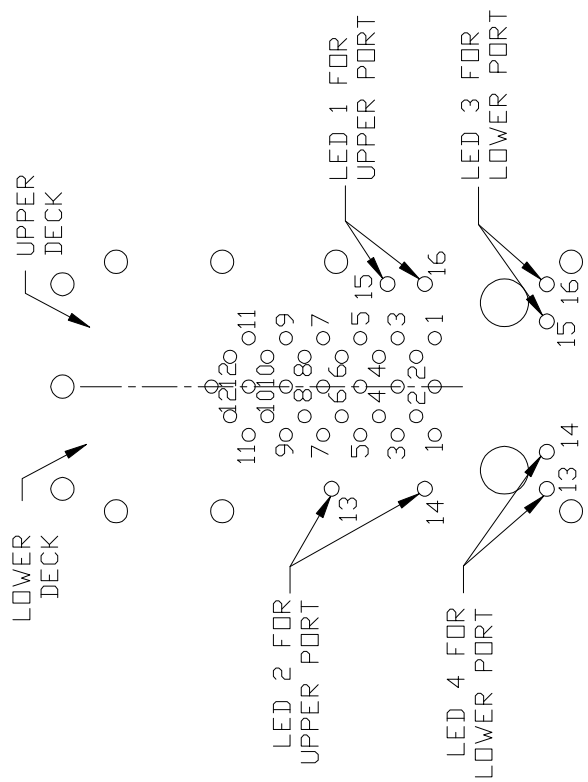


This document is electronically generated. This is a controlled copy if used internally

THE INFORMATION CONTAINED HEREIN IS CONSIDERED "PROPRIETARY" TO BEL FUSE INC. AND SHALL NOT BE COPIED, REPRODUCED OR DISCLOSED WITHOUT THE WRITTEN APPROVAL OF BEL FUSE INC.

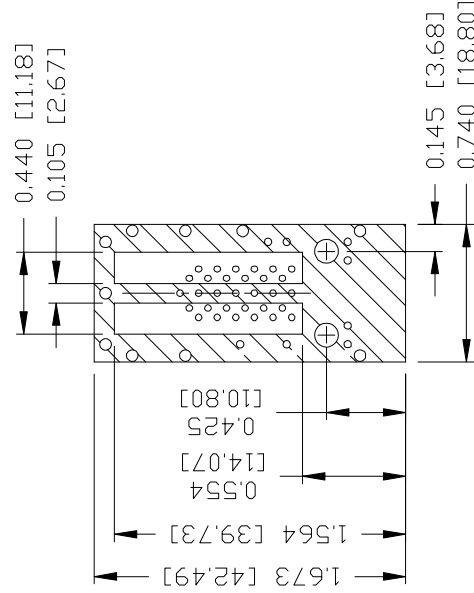


PORT ASSIGNMENT
(COMPONENT SIDE VIEW)



PIN-OUT INFORMATION
(COMPONENT SIDE VIEW)

10	TRD4+
9	TRCT3
8	TRD3-
7	TRD3+
6	TRCT2
5	TRD2-
4	TRD2+
3	TRCT1
2	TRD1-
1	TRD1+
16	ORANGE(+)/GREEN(-)
15	ORANGE(-)/GREEN(+)
14	YELLOW (-)
13	YELLOW (+)
12	TRCT4
11	TRD4-



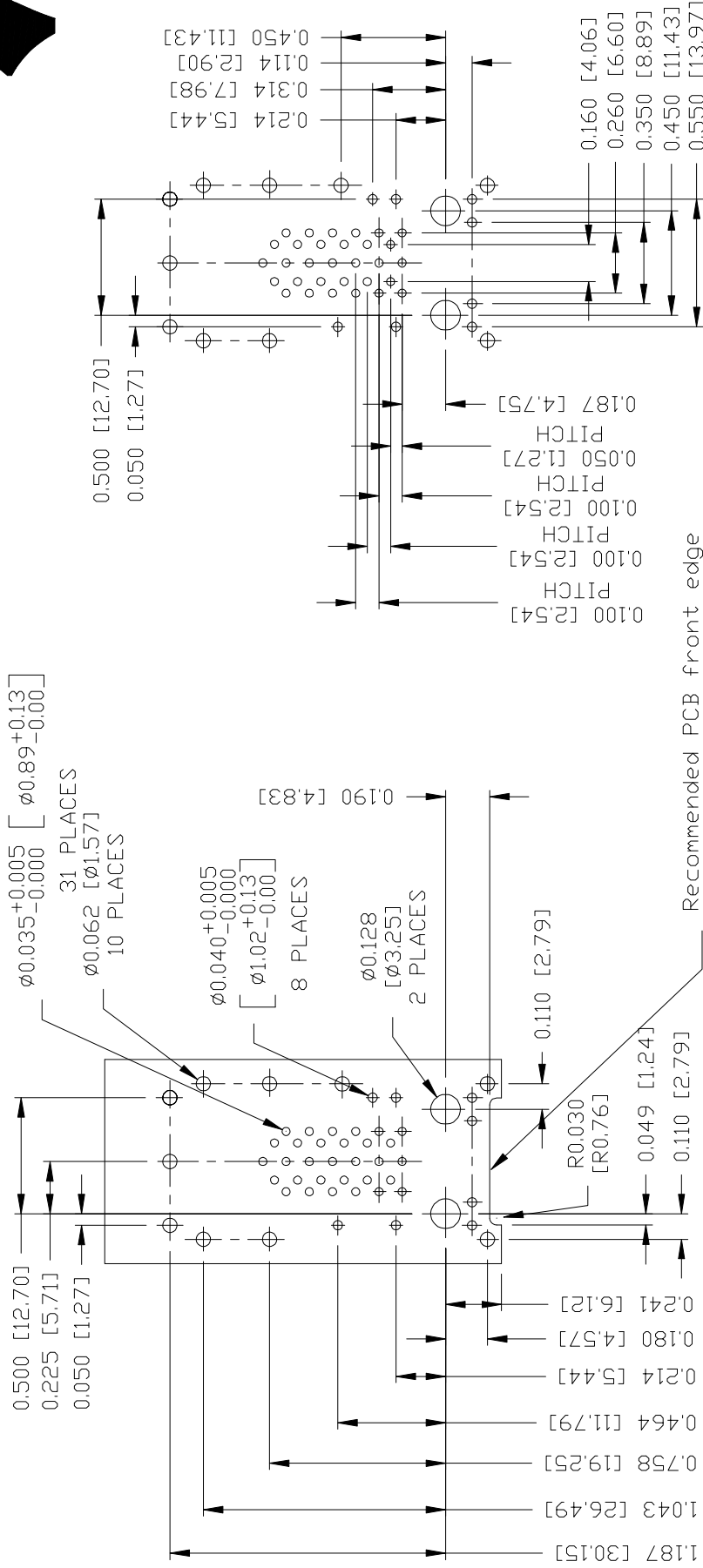
THE SHADED AREA ON THE CUSTOMER BOARD ARE RECOMMENDED TO BE CLEAR OFF ANY VIA HOLE OR COMPONENT PAD.

ORIGINATED BY TONY YUAN DATE 2023-08-07 DRAWN BY JARRY YE DATE 2023-08-07		TITLE 2X1 10 Gigabit MagJack® PATENTED		PART NO. / DRAWING NO. G23-21YR-112-L FILE NAME G23-21YR-112-L_1.DWG		STANDARD DIM. TOL. IN INCH .X UNIT : INCH [mm] .XX SCALE : N/A ±0.004 SIZE : A4		REV. : 1	PAGE : 4
 MAGNETIC SOLUTIONS a bel group									

This document is electronically generated. This is a controlled copy if used internally

THE INFORMATION CONTAINED HEREIN IS CONSIDERED "PROPRIETARY" TO BEL FUSE INC. AND SHALL NOT BE COPIED, REPRODUCED OR DISCLOSED WITHOUT THE WRITTEN APPROVAL OF BEL FUSE INC.

RoHS



Recommended PCB front edge cutout. The bottom shield ground tabs (front) should not be seated on the top of the PCB.

SUGGESTED FOOTPRINT
(COMPONENT SIDE VIEW)

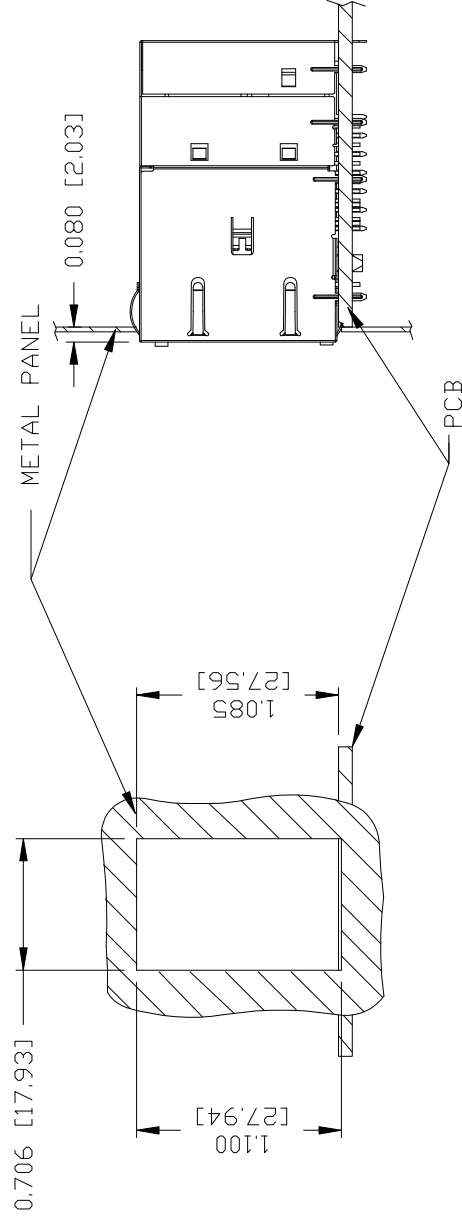
REV. : 1		PAGE : 5	
PART NO. / DRAWING NO. G23-21YR-112-L		STANDARD DIM. [] METRIC DIM. AS REF.	
FILE NAME G23-21YR-112-L_1.DWG		UNIT : INCH [mm]	
TITLE 2X1 10 Gigabit MagJack® PATENTED		SCALE : N/A	
ORIGINATED BY TONY YUAN	DATE 2023-08-07	SIZE : A4	
DRAWN BY JARRY YE	DATE 2023-08-07	a bel group	
		bel MAGNETIC SOLUTIONS	

This document is electronically generated. This is a controlled copy if used internally

THE INFORMATION CONTAINED HEREIN IS CONSIDERED "PROPRIETARY" TO BEL FUSE INC. AND SHALL NOT BE COPIED, REPRODUCED OR DISCLOSED WITHOUT THE WRITTEN APPROVAL OF BEL FUSE INC.



SUGGESTED PANEL OPENING



NOTE:

THE DISTANCE OF PANEL INSIDE SURFACE RELATIVE TO FRONT SURFACE OF PART IS ONLY A SUGGESTION. IN CASE THIS DISTANCE IS DIFFERENT, THE REQUIRED PANEL OPENING DIMENSIONS CHANGE ACCORDINGLY.

PACKING INFORMATION

PACKING TRAY : 0200M9999-P3 (TOP)
0200M9999-P2 (BOTTOM)

PACKING QUANTITY : 18 PCS FINISHED GOODS PER TRAY.

9 TRAYS (162 PCS FINISHED GOODS) PER CARTON BOX.

REMARK : CARDBOARDS ARE PLACED BETWEEN LAYERS OF PACKING TRAY INSIDE CARTON BOX.
(INCLUDE THE UPPERMOST AND LOWERMOST TRAY)

REV. : 1		PAGE : 6	
ORIGINATED BY TONY YUAN DATE 2023-08-07 DRAWN BY JARRY YE DATE 2023-08-07		TITLE 2X1 10 Gigabit MagJack® PATENTED	
PART NO. / DRAWING NO. G23-21YR-112-L FILE NAME G23-21YR-112-L_1.DWG		STANDARD DIM. TOL. IN INCH .X .XX .XXX ±0.005 [] METRIC DIM. AS REF. UNIT : INCH [mm] SCALE : N/A SIZE : A4	
 a bel group			