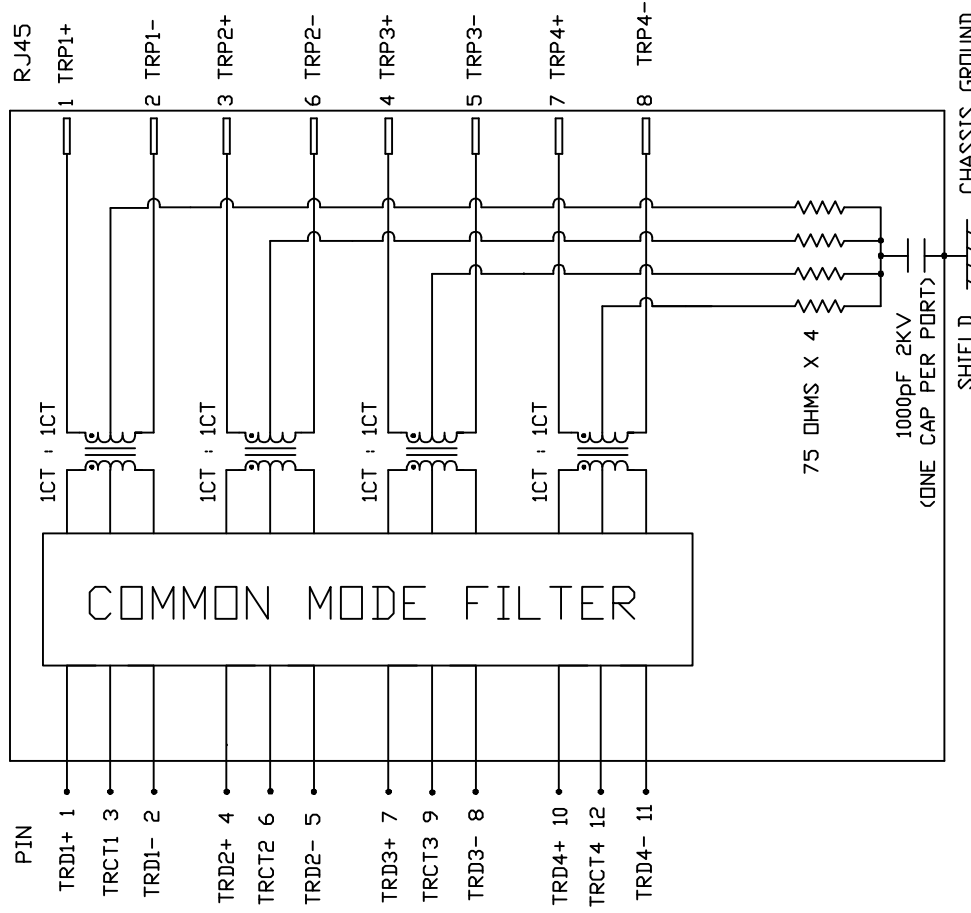


THE INFORMATION CONTAINED HEREIN IS CONSIDERED "PROPRIETARY" TO BEL FUSE INC. AND SHALL NOT BE COPIED, REPRODUCED OR DISCLOSED WITHOUT THE WRITTEN APPROVAL OF BEL FUSE INC.

RoHS

PRELIMINARY

SCHEMATIC



ELECTRICAL CHARACTERISTICS @ 25°C

- URNS RATIO**
 TP1 1CT : 1CT
 TP2 1CT : 1CT
 TP3 1CT : 1CT
 TP4 1CT : 1CT
- INS. LOSS (MAX)**
 1MHZ TO 20MHZ -0.8 dB
 50MHZ -1.0 dB
 200MHZ -1.2 dB
 400MHZ -2.0 dB
 500MHZ -3.0 dB
- RET. LOSS (MIN) @ 100 OHMS**
 1MHZ < f < 40MHZ 16 dB MIN
 40MHZ < f < 400MHZ 16-10LOG(f/40MHZ) dB
 400MHZ < f < 500MHZ 6-30LOG(f/400MHZ) dB
- CM TO CM REJ**
 1MHZ - 500MHZ -25 dB MIN
- CM TO DM REJ**
 1MHZ - 500MHZ -30 dB MIN
- HIPDT (Isolation Voltage):** 2250VDC
 100% OF PRODUCTION TESTED TO COMPLY WITH IEEE 802.3 ISOLATION REQUIREMENTS.
OPERATING TEMPERATURE: -40°C TO +85°C.

ORIGINATED BY
 CHOW WANCHUNG
 DATE 2021-05-24
 DRAWN BY
 TANG YUAN
 DATE 2021-05-24

TITLE
 2X8 10 Gigabit MagJack®
 PATENTED

PART NO. / DRAWING NO.
 G14-D8NV-010B
 FILE NAME
 G14-D8NV-010B_2.DWG

STANDARD DIM.
 TOL. IN INCH
 .X
 .XX
 .XXX
 [] METRIC DIM.
 AS REF.
 UNIT : INCH [mm]
 SCALE : N/A
 SIZE : A4

REV. : 2 PAGE : 2



MAGNETIC SOLUTIONS
 a bel group

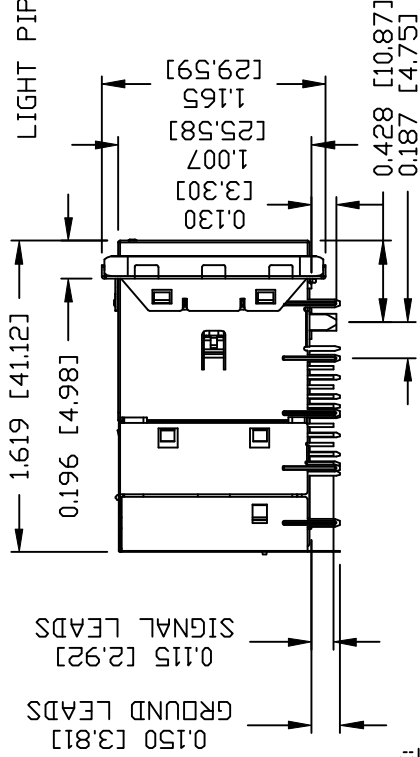
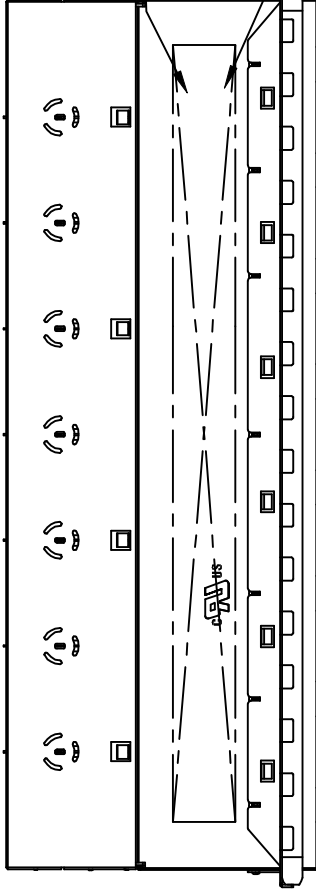
This document is electronically generated. This is a controlled copy if used internally

30002(2)/20214

THE INFORMATION CONTAINED HEREIN IS CONSIDERED "PROPRIETARY" TO BEL FUSE INC. AND SHALL NOT BE COPIED, REPRODUCED OR DISCLOSED WITHOUT THE WRITTEN APPROVAL OF BEL FUSE INC.

PRELIMINARY

RoHS



NOTES:

1. PLASTIC HOUSING: THERMOPLASTIC PBT, BLACK. FLAMMABILITY RATING UL 94V-0

2. CONTACT PLATING: 50 MICRO-INCH HARD GOLD PLATING OR EQUIVALENT.

3. OUTPUT PINS: TIN-COATED COPPER WIRE, DIA 0.018 INCH. 100 MICRO-INCH MIN MATTE TIN. PINS ARE SOLDER DIPPED.

4. METAL SHIELD: NICKEL PLATED ON COPPER ALLOY. (CALL GROUND LEADS ARE SOLDER DIPPED)

5. JACK CAVITY CONFORMS TO FCC RULES AND REGULATIONS, PART 68 SUBPART F.

6. MARK PART WITH MFG LOGO, NAME, PART NUMBER AND DATE CODE.

3. THE PRODUCT IS RoHS COMPLIANT.

UL UL RECOGNIZED - FILE #E169987.

4. THE PRODUCT IS PATENTED.

'PATENTED' MARKING IS ON THE TOP SURFACE.

THE PATENT NUMBER ARE U.S. PAT. 7,429,195 & U.S. PAT. 6,840,817 & U.S. PAT. 7,123,117 AND U.S. PAT. 7,924,130.

5. THE AXIAL RETENTION FORCE OF RJ PORT IS 15LBS MIN.

6. THE FINISHED GOODS IS WITHOUT SMD LED. THE SMD LED IS PROVIDED BY CUSTOMER HERSELF. AND THE SMD LED IS MOUNTED ON CUSTOMER PCB.

ORIGINATED BY SANDY LIN

DATE 2021-05-24

DRAWN BY RUAN WENJUN

DATE 2021-05-24

TITLE

2X8 10 Gigabit MagJack®

PATENTED

PART NO. / DRAWING NO.

G14-D8NV-010B

FILE NAME

G14-D8NV-010B_2.DWG

STANDARD DIM.

TOL. IN INCH

.X
.XX
.XXX

[] METRIC DIM.

AS REF.

UNIT : INCH [mm]

SCALE : N/A

±0.010

SIZE : A4

REV. : 2 PAGE : 3



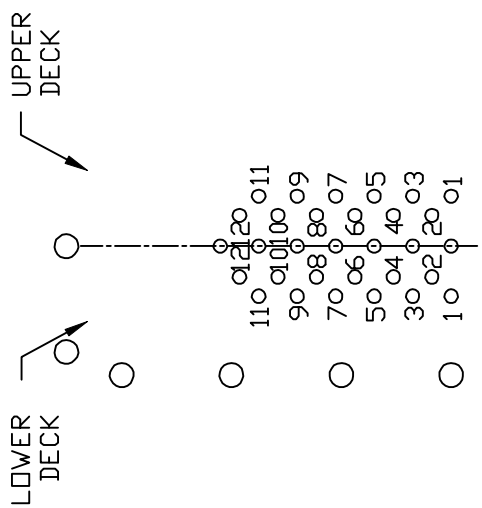
MAGNETIC SOLUTIONS

a bel group

THE INFORMATION CONTAINED HEREIN IS CONSIDERED "PROPRIETARY" TO BEL FUSE INC. AND SHALL NOT BE COPIED, REPRODUCED OR DISCLOSED WITHOUT THE WRITTEN APPROVAL OF BEL FUSE INC.

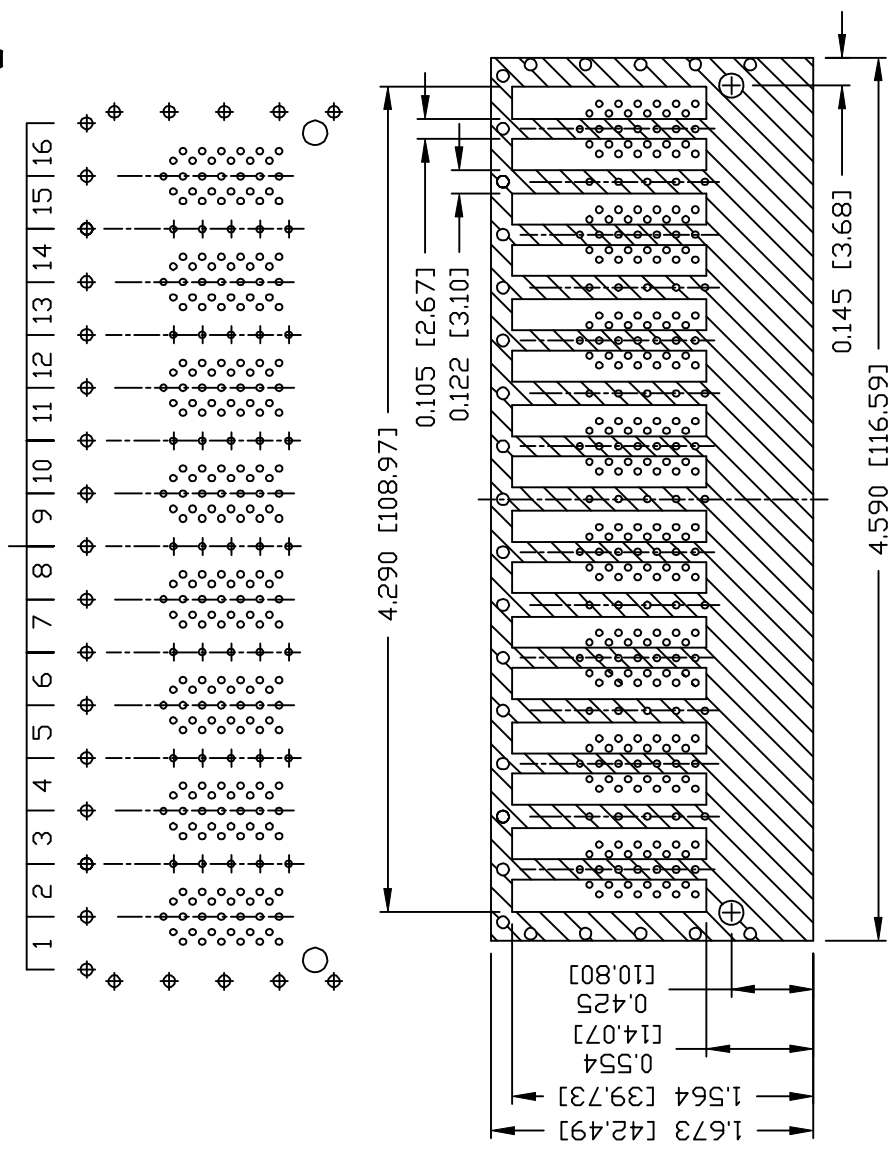
PRELIMINARY

PORT ASSIGNMENT
(COMPONENT SIDE VIEW)



PIN-OUT INFORMATION
(COMPONENT SIDE VIEW)

10	TRD4+
9	TRCT3
8	TRD3-
7	TRD3+
6	TRCT2
5	TRD2-
4	TRD2+
3	TRCT1
2	TRD1-
1	TRD1+



THE SHADED AREA ON THE CUSTOMER BOARD ARE RECOMMENDED TO BE CLEAR OFF ANY VIA HOLE OR COMPONENT PAD.

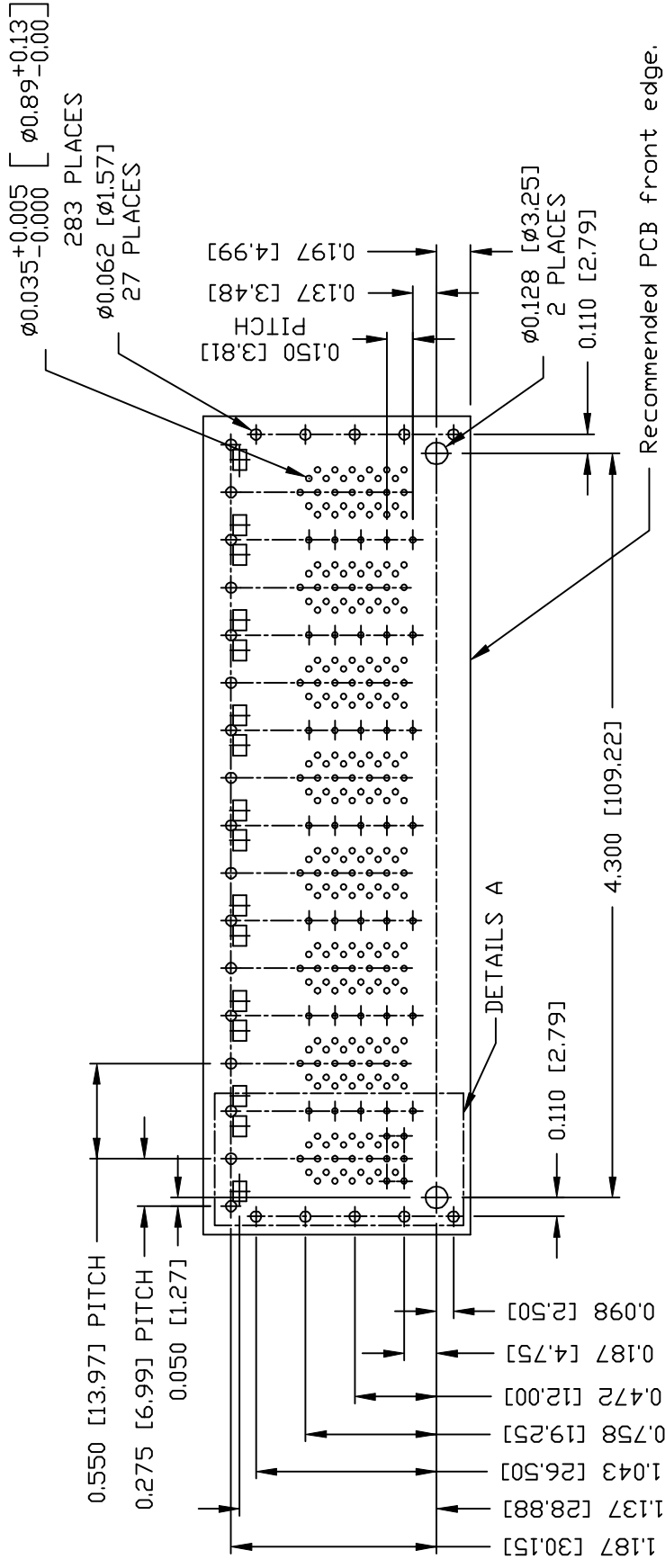
ORIGINATED BY SANDY LIN DATE 2021-05-24 DRAWN BY RUAN WENJUN DATE 2021-05-24		TITLE 2X8 10 Gigabit MagJack® PATENTED		PART NO. / DRAWING NO. G14-D8NV-010B FILE NAME G14-D8NV-010B_2.DWG	STANDARD DIM. [] METRIC DIM. [] AS REF.	TOL. IN INCH .X .XX .XXX	UNIT : INCH [mm] SCALE : N/A SIZE : A4	REV. : 2 PAGE : 4
-----------------------------------------------------------------------------------------------------------	--	-----------------------------------------------------	--	-------------------------------------------------------------------------------------------	-------------------------------------------------	-----------------------------------	----------------------------------------------	----------------------

This document is electronically generated. This is a controlled copy if used internally

THE INFORMATION CONTAINED HEREIN IS CONSIDERED "PROPRIETARY" TO BEL FUSE INC. AND SHALL NOT BE COPIED, REPRODUCED OR DISCLOSED WITHOUT THE WRITTEN APPROVAL OF BEL FUSE INC.

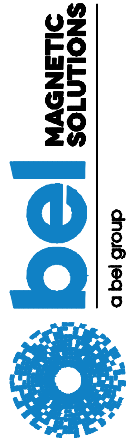
PRELIMINARY

RoHS



SUGGESTED FOOTPRINT
 (COMPONENT SIDE VIEW)

ORIGINATED BY SANDY LIN	DATE 2021-05-24	DRAWN BY RUAN WENJUN	DATE 2021-05-24	TITLE 2X8 10 Gigabit MagJack® PATENTED	PART NO. / DRAWING NO. G14-D8NV-010B	FILE NAME G14-D8NV-010B_2.DWG	STANDARD DIM. TOL. IN INCH .X .XX .XXX	[] METRIC DIM. AS REF.	UNIT : INCH [mm]	SCALE : N/A	±0.004	SIZE : A4	REV. : 2	PAGE : 5
----------------------------	--------------------	-------------------------	--------------------	----------------------------------------------	-----------------------------------------	----------------------------------	----------------------------------------------------	----------------------------	------------------	-------------	--------	-----------	----------	----------



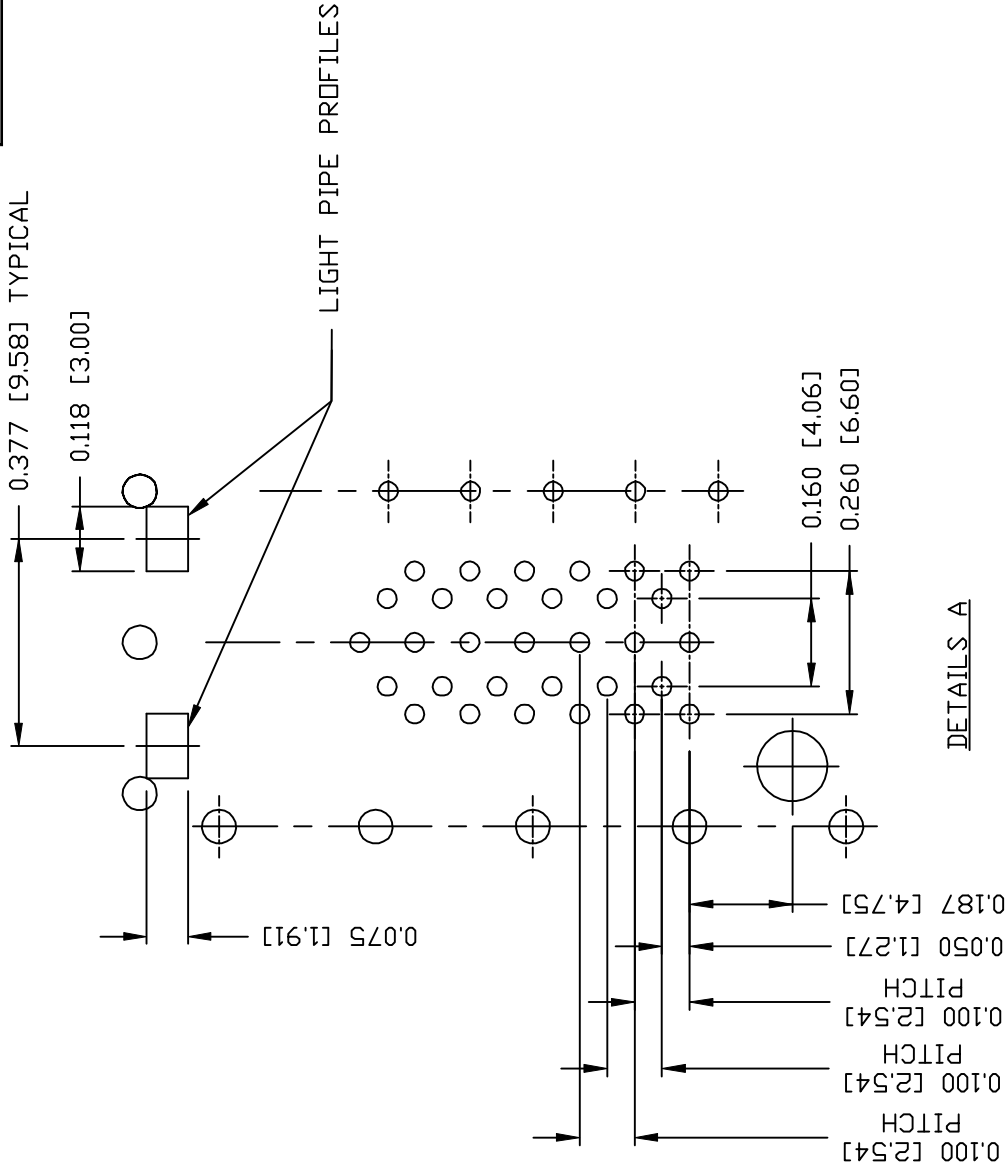
This document is electronically generated. This is a controlled copy if used internally

3C002(2)120214

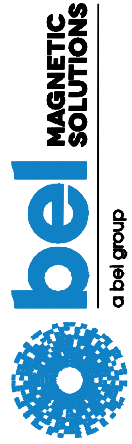
THE INFORMATION CONTAINED HEREIN IS CONSIDERED "PROPRIETARY" TO BEL FUSE, INC. AND SHALL NOT BE COPIED, REPRODUCED OR DISCLOSED WITHOUT THE WRITTEN APPROVAL OF BEL FUSE, INC.



PRELIMINARY



ORIGINATED BY SANDY LIN	DATE 2021-05-24	TITLE 2X8 10 Gigabit MagJack® PATENTED	PART NO. / DRAWING NO. G14-D8NV-010B	STANDARD DIM. TOL. IN INCH	[] METRIC DIM. AS REF.	REV. : 2	PAGE : 6
DRAWN BY RUAN WENJUN	DATE 2021-05-24		FILE NAME G14-D8NV-010B_2.DWG	.X	UNIT : INCH [mm]		
				.XX	SCALE : N/A		
				.XXX	±0.004		SIZE : A4



This document is electronically generated. This is a controlled copy if used internally

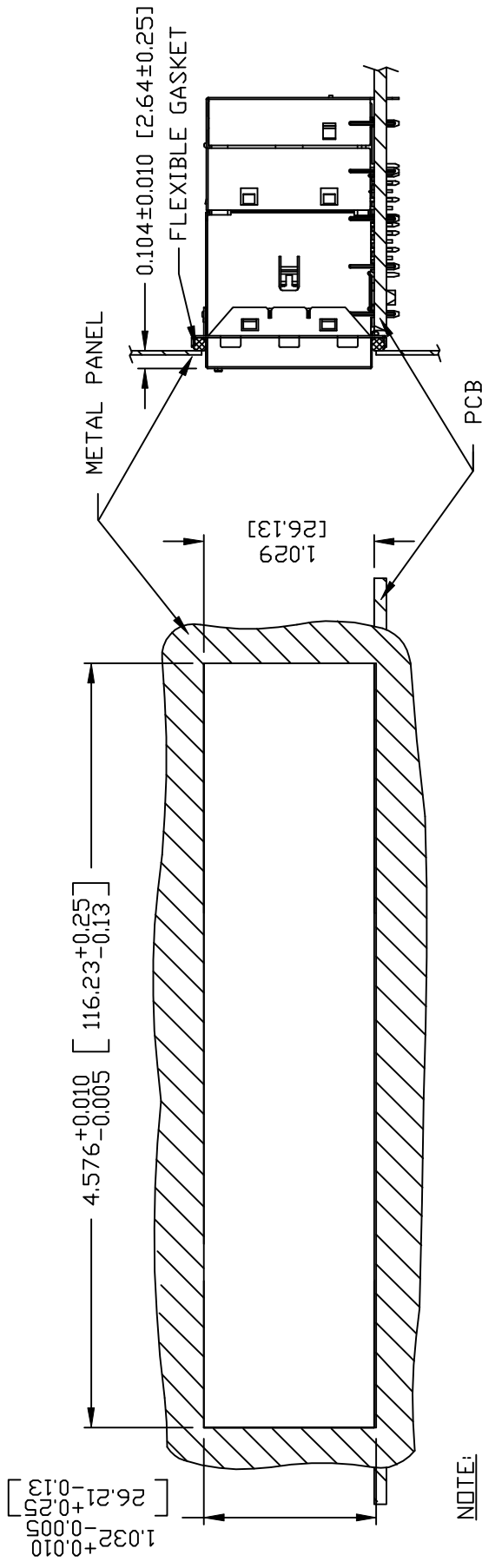
3C002(2)120214

THE INFORMATION CONTAINED HEREIN IS CONSIDERED "PROPRIETARY" TO BEL FUSE INC. AND SHALL NOT BE COPIED, REPRODUCED OR DISCLOSED WITHOUT THE WRITTEN APPROVAL OF BEL FUSE INC.



PRELIMINARY

SUGGESTED PANEL OPENING



NOTE:

1. THE DISTANCE OF PANEL INSIDE SURFACE RELATIVE TO FRONT SURFACE OF PART IS ONLY A SUGGESTION. IN CASE THIS DISTANCE IS DIFFERENT, THE REQUIRED PANEL OPENING DIMENSIONS CHANGE ACCORDINGLY.
2. RECOMMENDED COMPRESSION OF THE FLEXIBLE GASKET MATERIAL OF 25%.
3. RECOMMENDED FLEXIBLE GASKET THICKNESS BEFORE COMPRESSION IS 0.103 INCH.
4. THE FLEXIBLE GASKET CAN BE ORDERD SEPARATELY VIA PART NUMBER 0080M1700-05.

PACKING INFORMATION

PACKING TRAY : 0200-9999-D1 (TOP)
0200-9999-D9 (BOTTOM)

PACKING QUANTITY : 10 PCS FINISHED GOODS PER TRAY.
5 TRAYS (50 PCS FINISHED GOODS) PER CARTON BOX.

REMARK : CARDBOARDS ARE PLACED BETWEEN LAYERS OF PACKING TRAY INSIDE CARTON BOX.
(INCLUDE THE UPPERMOST AND LOWERMOST TRAY)

REV. :	2	PAGE :	7
		a bel group	

ORIGINATED BY SANDY LIN	TITLE 2X8 10 Gigabit MagJack® PATENTED	PART NO. / DRAWING NO. G14-D8NV-010B	STANDARD DIM. TOL. IN INCH	[] METRIC DIM. AS REF.
DATE 2021-05-24		FILE NAME G14-D8NV-010B_2.DWG	.X	UNIT : INCH [mm]
DRAWN BY RUAN WENJUN			.XX	SCALE : N/A
DATE 2021-05-24			.XXX	SIZE : A4
			±0.005	

This document is electronically generated. This is a controlled copy if used internally