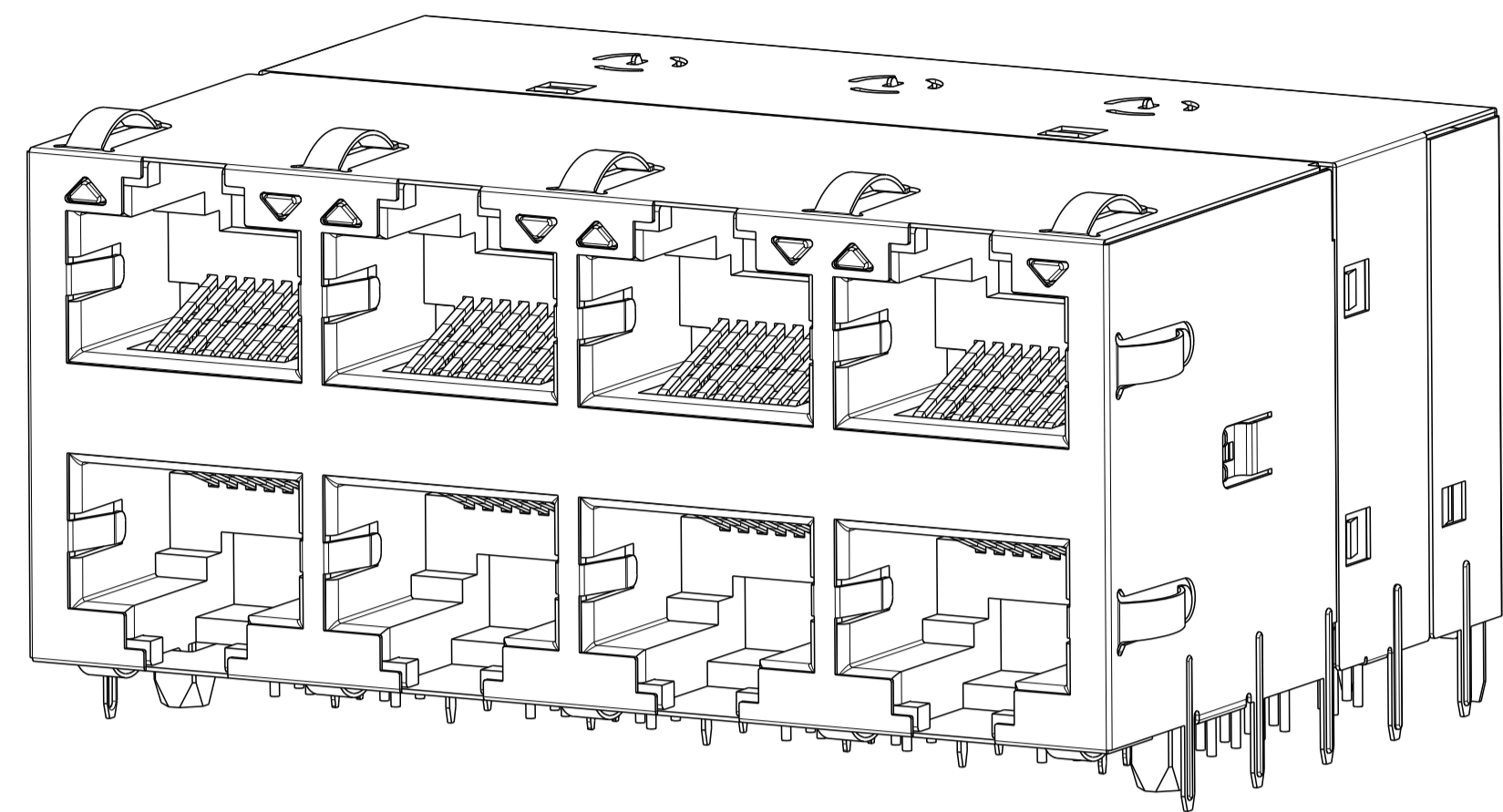


THIS DRAWING AND THE SUBJECT MATTER SHOWN THEREON ARE CONFIDENTIAL AND THE PROPERTY OF BEL/STEWART/TRP CONNECTOR AND SHALL NOT BE REPRODUCED, COPIED, OR USED IN ANY MANNER WITHOUT THE WRITTEN CONSENT OF TRP CONNECTOR.

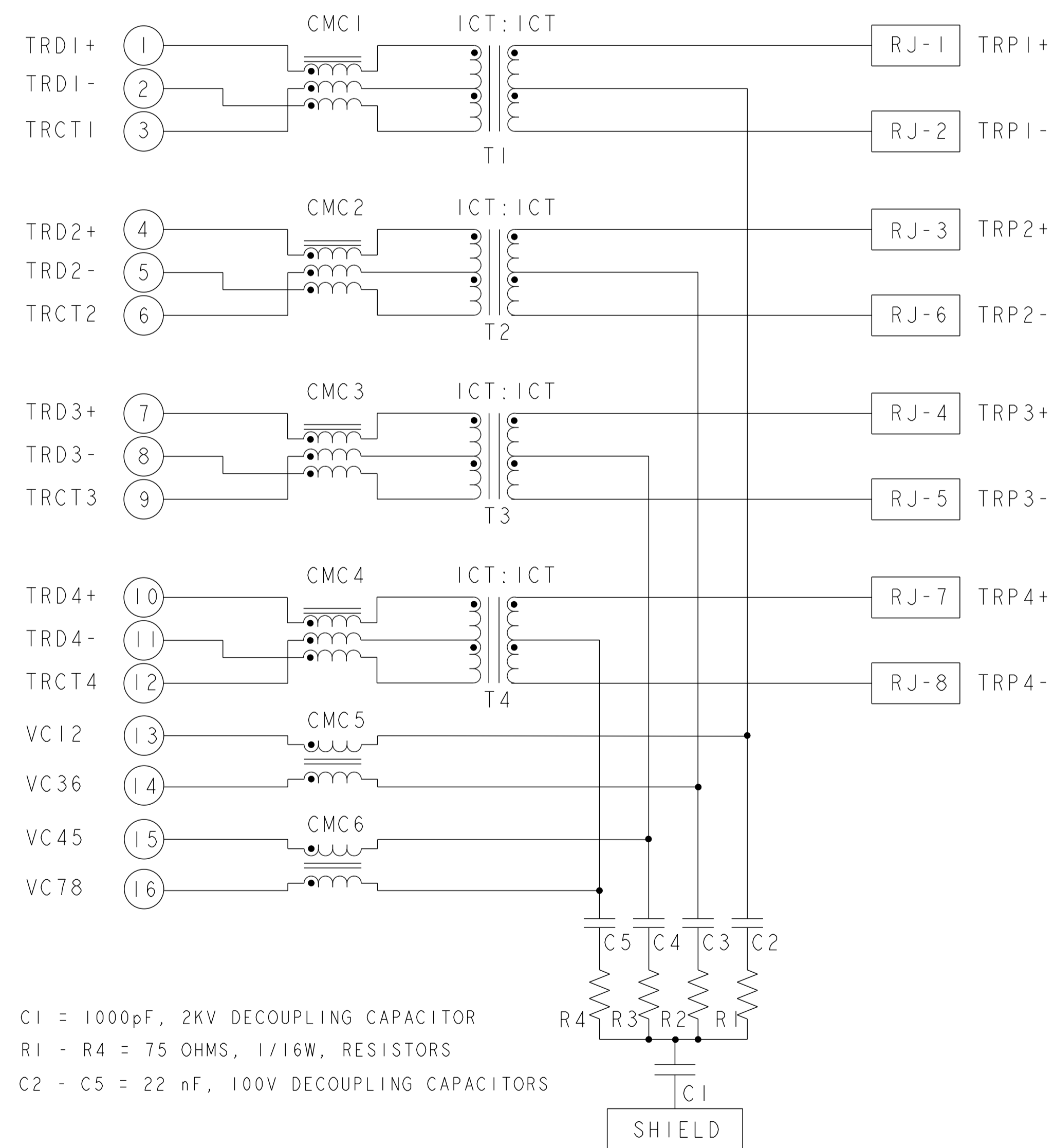
PRODUCT MAY BE PROTECTED BY ONE OR MORE OF THE FOLLOWING US PATENTS:
 5736910 5939955 6425781 6428361 6554638 6840817 7123117
 7429195 7717749 7808751 6217391 6149050 7924130

REVISIONS				
#	LT#	DESCRIPTION	DATE	APPV
1		INITIAL RELEASE	03APR2023	JY TY



2250852-1

S9UTG07L1ET 10 GIGABIT 100W 4PPOE CIRCUIT ⚠️ ⚠️



1. MATERIALS
 HOUSING: THERMOPLASTIC, BLACK, FLAMMABILITY RATING UL 94V-0
 SHIELD: NICKEL PLATED ON COPPER ALLOY (ALL GROUND LEADS ARE SOLDER DIPPED)
 CONTACT: PHOSPHOR BRONZE, WITH 1.27um MIN OVERALL NICKEL UNDERPLATE AND SELECTIVE 1.27um MIN GOLD PLATING AT MATING INTERFACE

⚠️ MAGNETICS
 - APPLICATION: 100M/1G/2.5G/5G/10G BASE-T, 4PPoE EXTENDED TEMPERATURE
 - IMPEDANCE: 100 OHMS
 - TURNS RATIO (CHIP:CABLE): 1:1 ALL FOUR PAIRS
 - OPEN CIRCUIT INDUCTANCE (OCL): 120uH MIN @23mA, 100kHz, 0.1VRMS, @ 25°C ALL FOUR PAIRS,
 - ALL FOUR PAIRS BI-DIRECTIONAL
 - PoE CURRENT: 1A DC MAX
 - PERFORMANCE @ 25°C (WHERE f IS FREQUENCY IN MHz):
 (a) RL (MAX)
 1 MHz - 40 MHz -18dB
 40 MHz - 400 MHz -18 + 10lg (f/40)
 400 MHz - 500 MHz -8 + 30lg (f/400)
 (b) IL (MIN)
 1MHz - 400MHz -0.5-1.3*(f-1)/400
 - ISOLATION VOLTAGE: 2250VDC FOR 60 SECONDS WITH A RISE TIME OF 500V/SEC, WITH ALL PORTS CONNECTED.

⚠️ THE MAGNETIC CIRCUIT ON ALL FOUR CHANNELS IS SYMMETRICAL AND SUPPORTS AUTO-MDIX OPERATION.

4. OPERATING TEMPERATURE: -40°C - 85°C.

⚠️ DATUM Y AND BASIC DIMENSION ESTABLISHED BY CUSTOMER.

⚠️ RJ45 CAVITY CONFORMS TO FCC RULES AND REGULATION PART 68 SUBPART F.

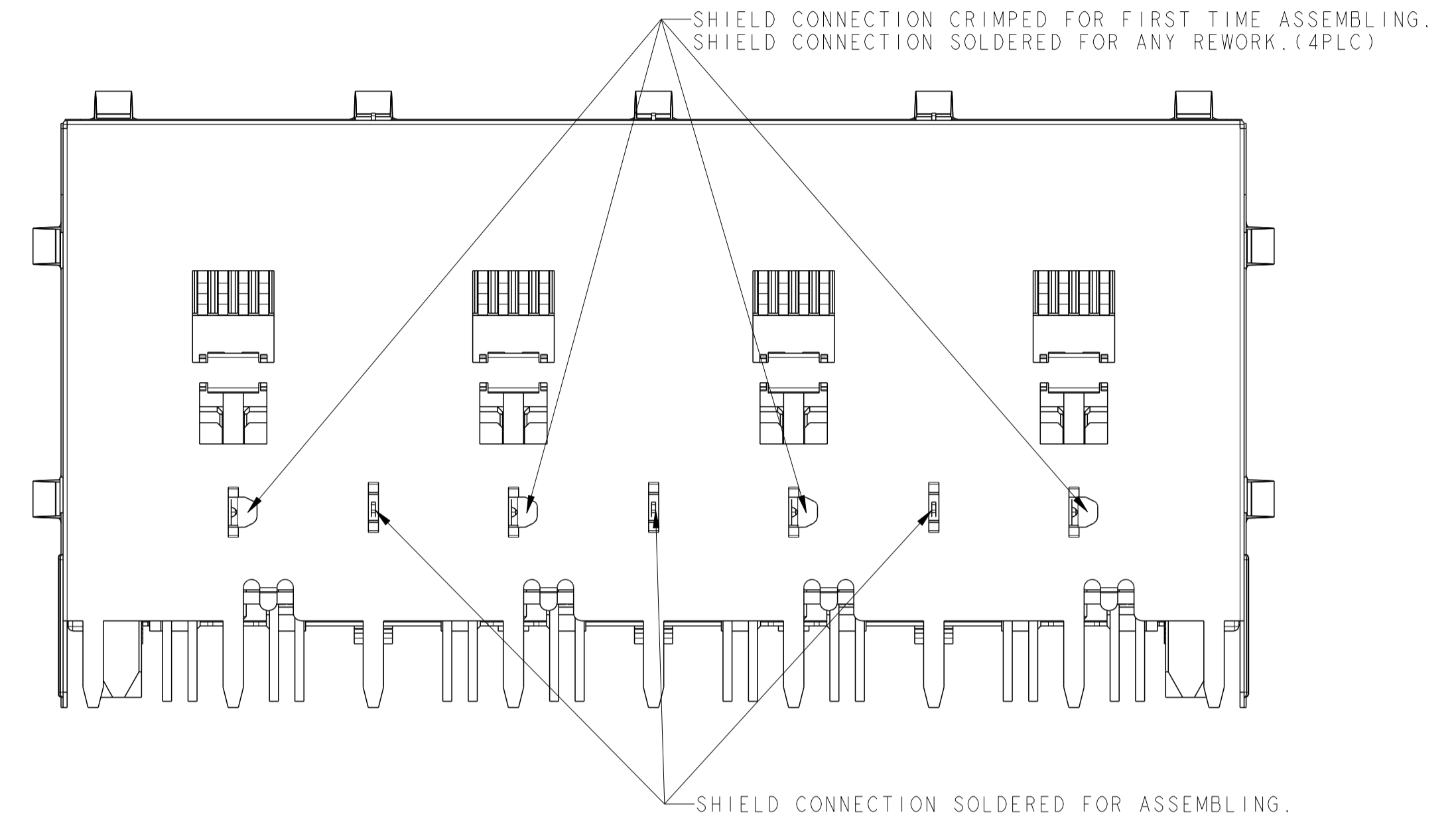
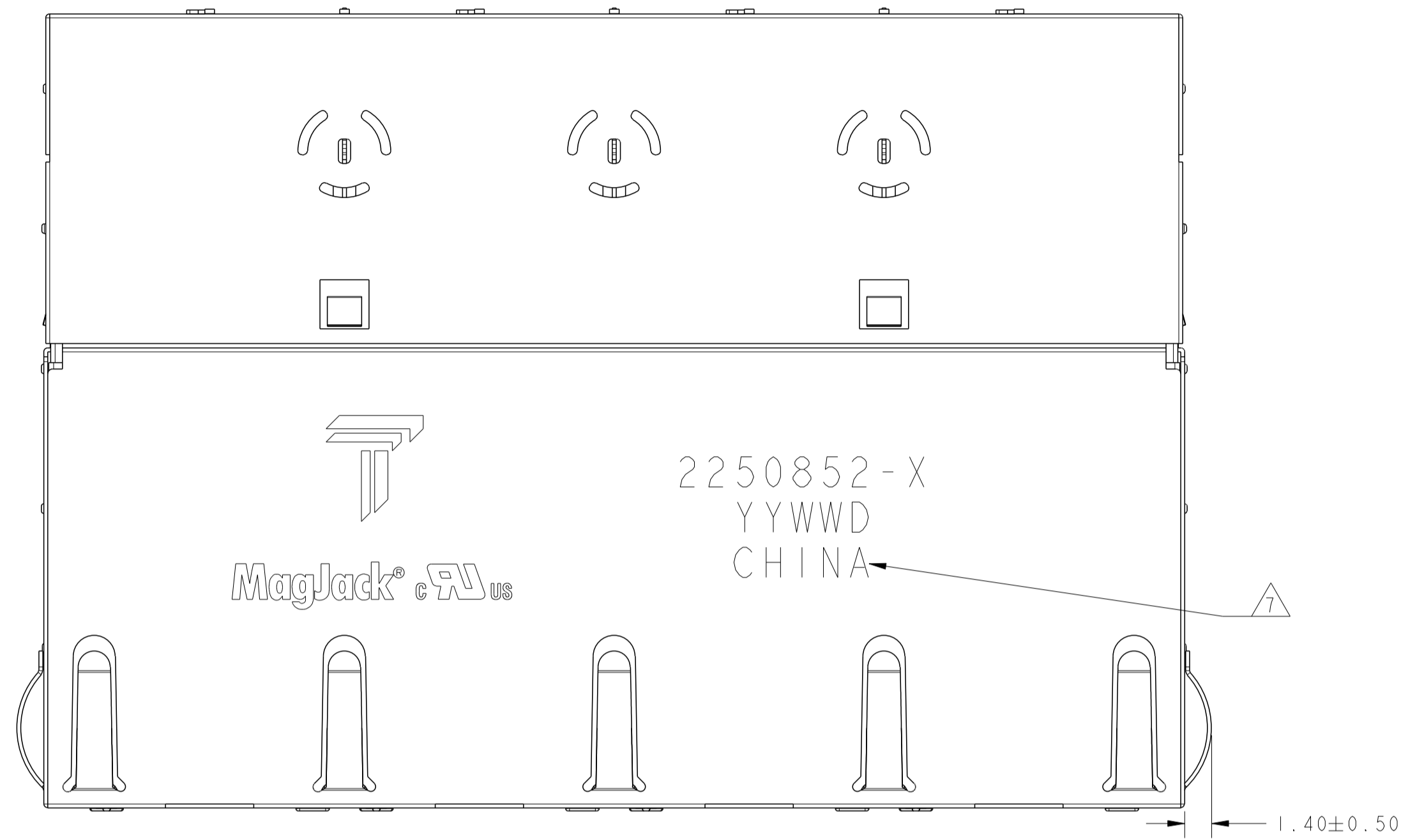
⚠️ TRP CONNECTOR LOGO, PART NUMBER, DATE CODE, COUNTRY OF ORIGIN, AGENCY APPROVAL MARKING IN APPROPRIATE LOCATION SHOWN.
 DATE CODE: YYWW WHERE "YY" IS YEAR, "WW" IS WORK WEEK, "D" IS DAY OF WEEK, WITH SUNDAY= 1

8. PART SHOULD BE RECOMMENDED FOR WAVE SOLDERING PROCESS, PEAK TEMPERATURE 260°C MAX, 10 SECONDS MAX.

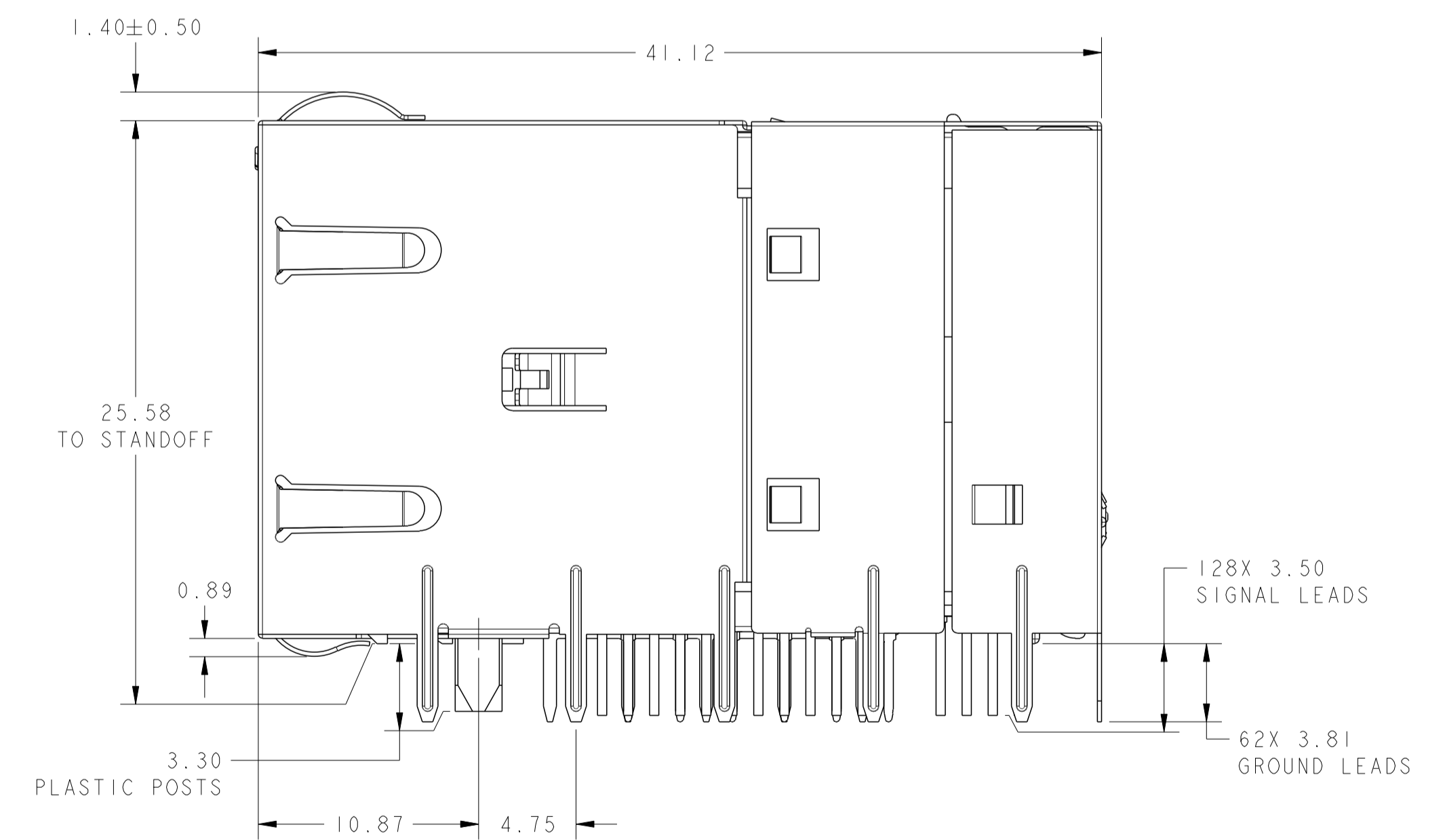
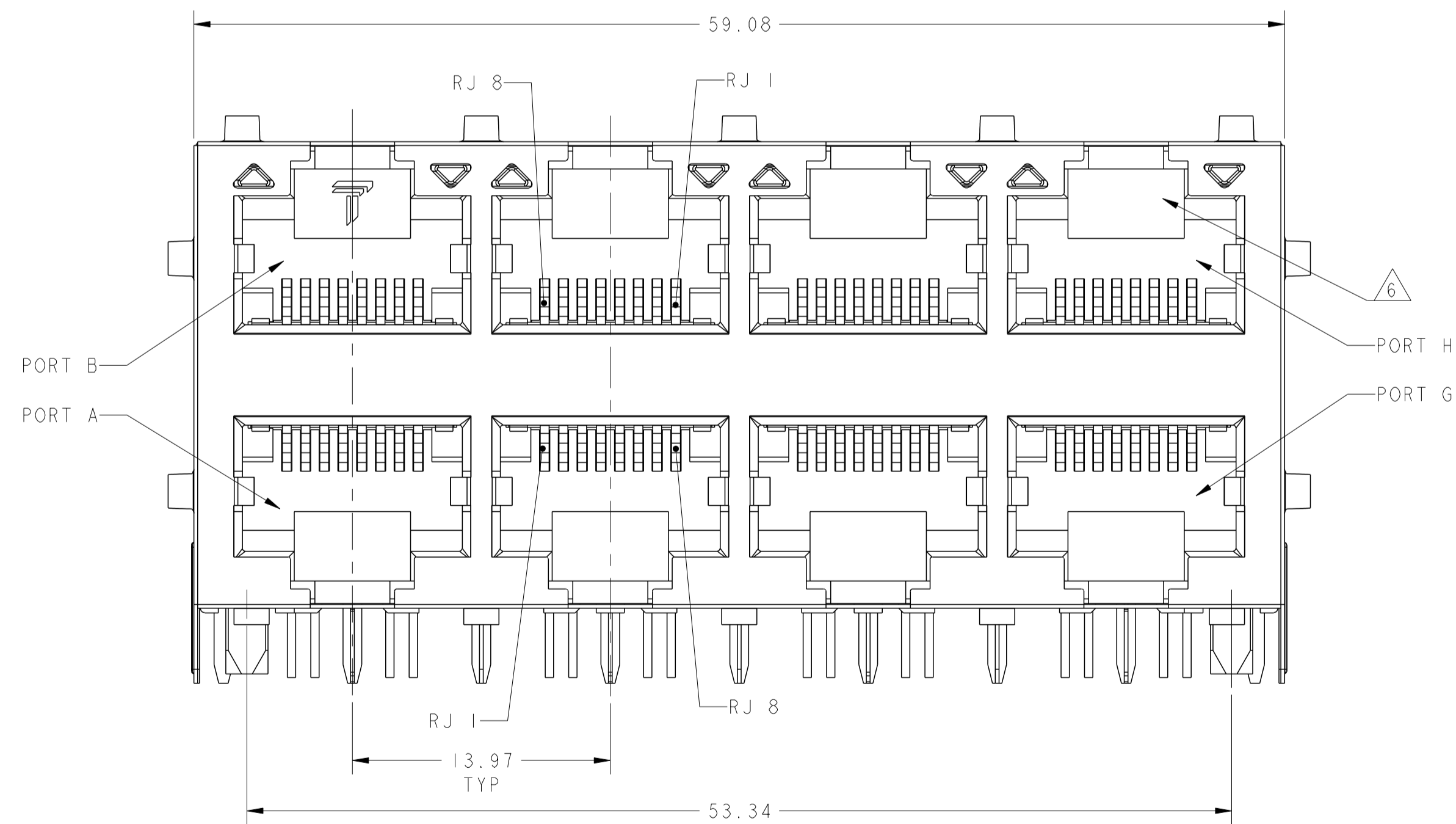
⚠️ THE FINISHED GOODS IS WITHOUT SMD LED, THE SMD LED IS PROVIDED BY CUSTOMER HERSELF, AND THE SMD LED IS MOUNTED ON CUSTOMER PCB.

2250852-1
PART NUMBER

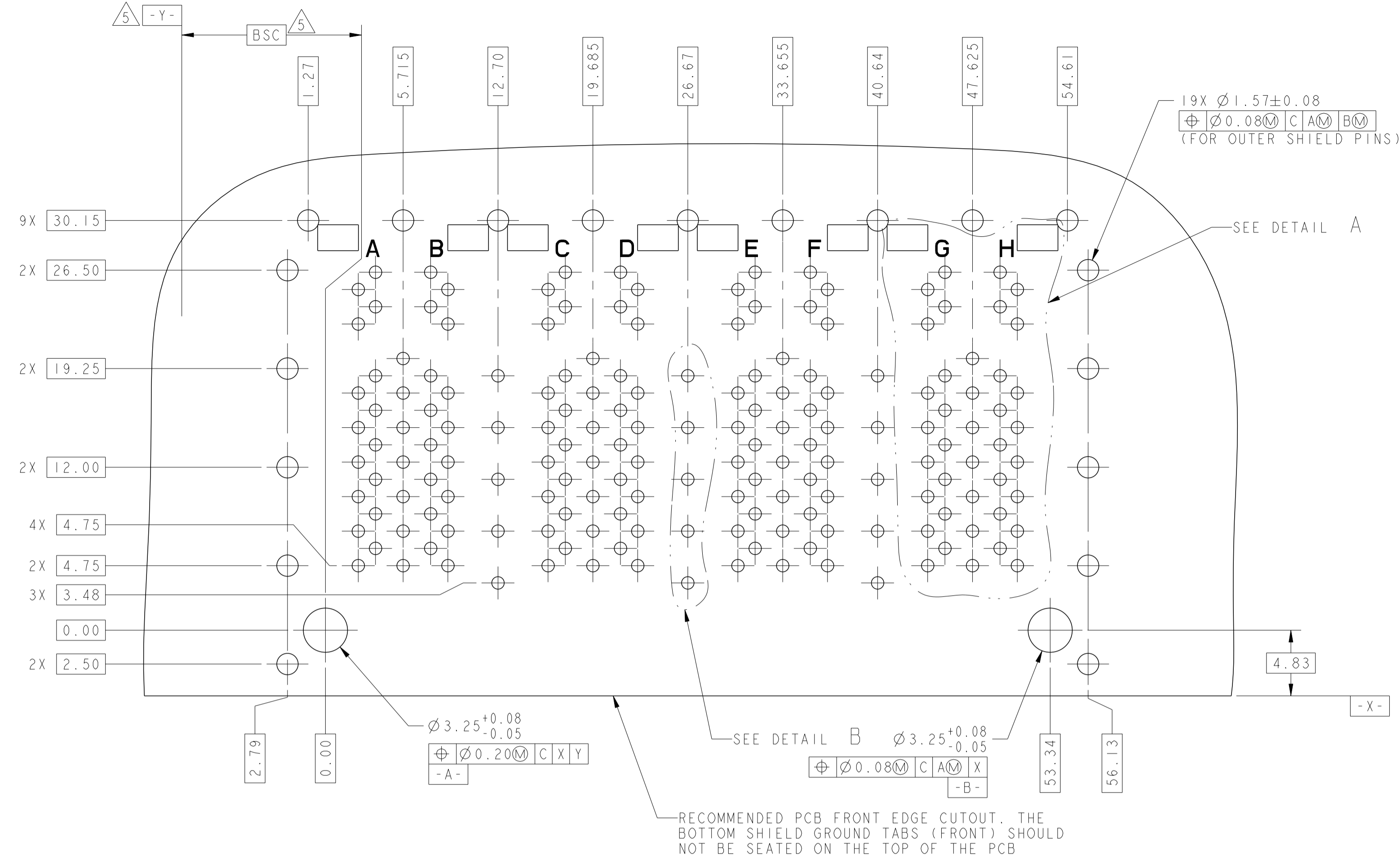
THIS DRAWING IS A CONTROLLED DOCUMENT AND COMPLIANT TO ASME Y14.5M		DWN: JARRY YE / YI LIU CHK: TOWER YU / BILL LIU APPV: TONY YUAN DATE: 03APR2023	DONGGUAN CHINA
DIMENSIONS: mm 	TOLERANCES UNLESS OTHERWISE SPECIFIED: 0 PLC ±0.25 1 PLC ±0.25 2 PLC ±0.25 3 PLC ±0.25 4 PLC ±0.25 ANGLES ±° APPLICATION SPEC	MODEL NAME: MAGJACK STACK 4PPoE DESC: 2X4, S9UTG07L1ET 10G 100W 4PPOE WITHOUT LED SIZE: A1 CAGE CODE: C=2250852 DRAWING NO: 108-104004	



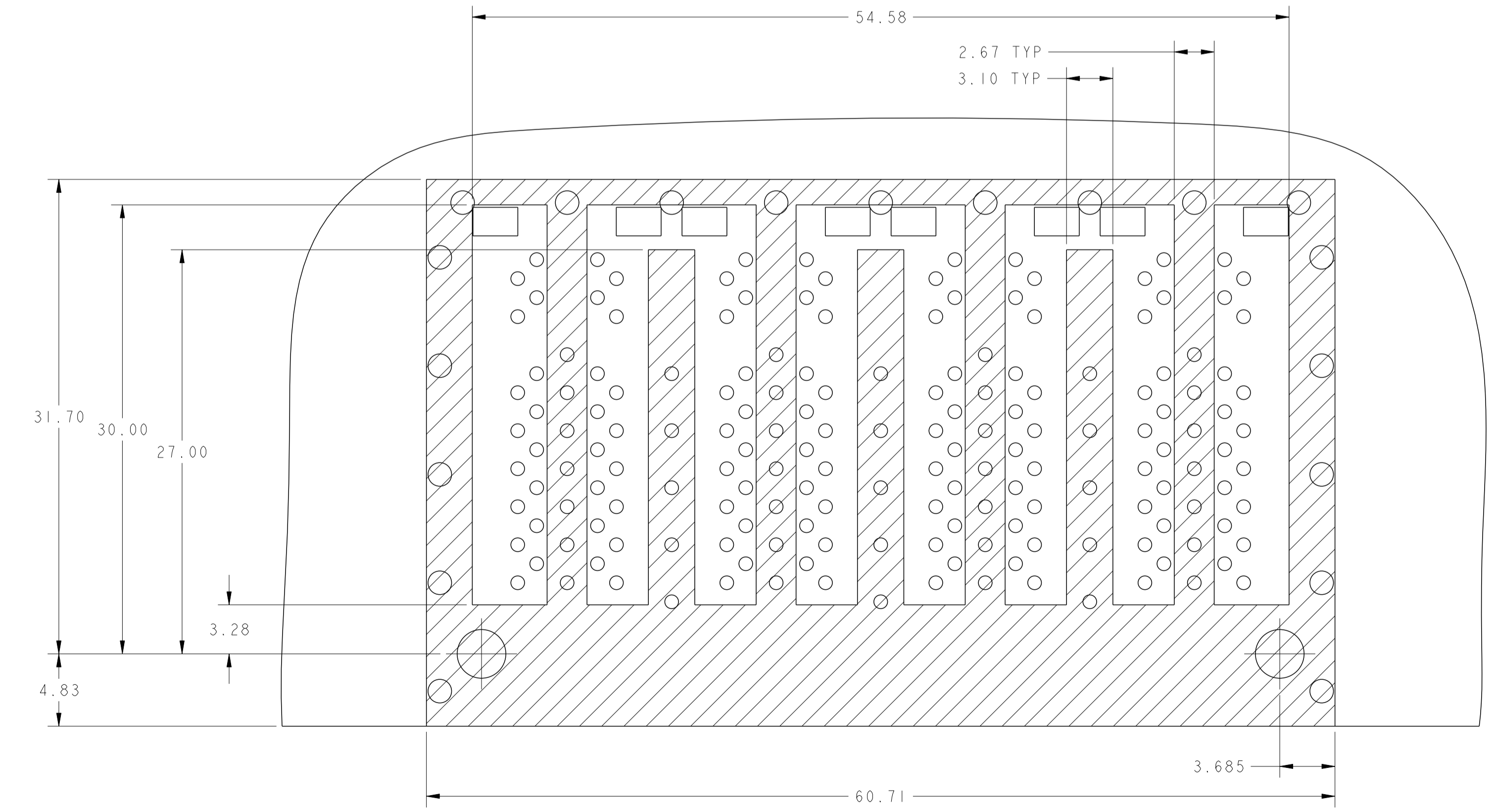
BACK VIEW



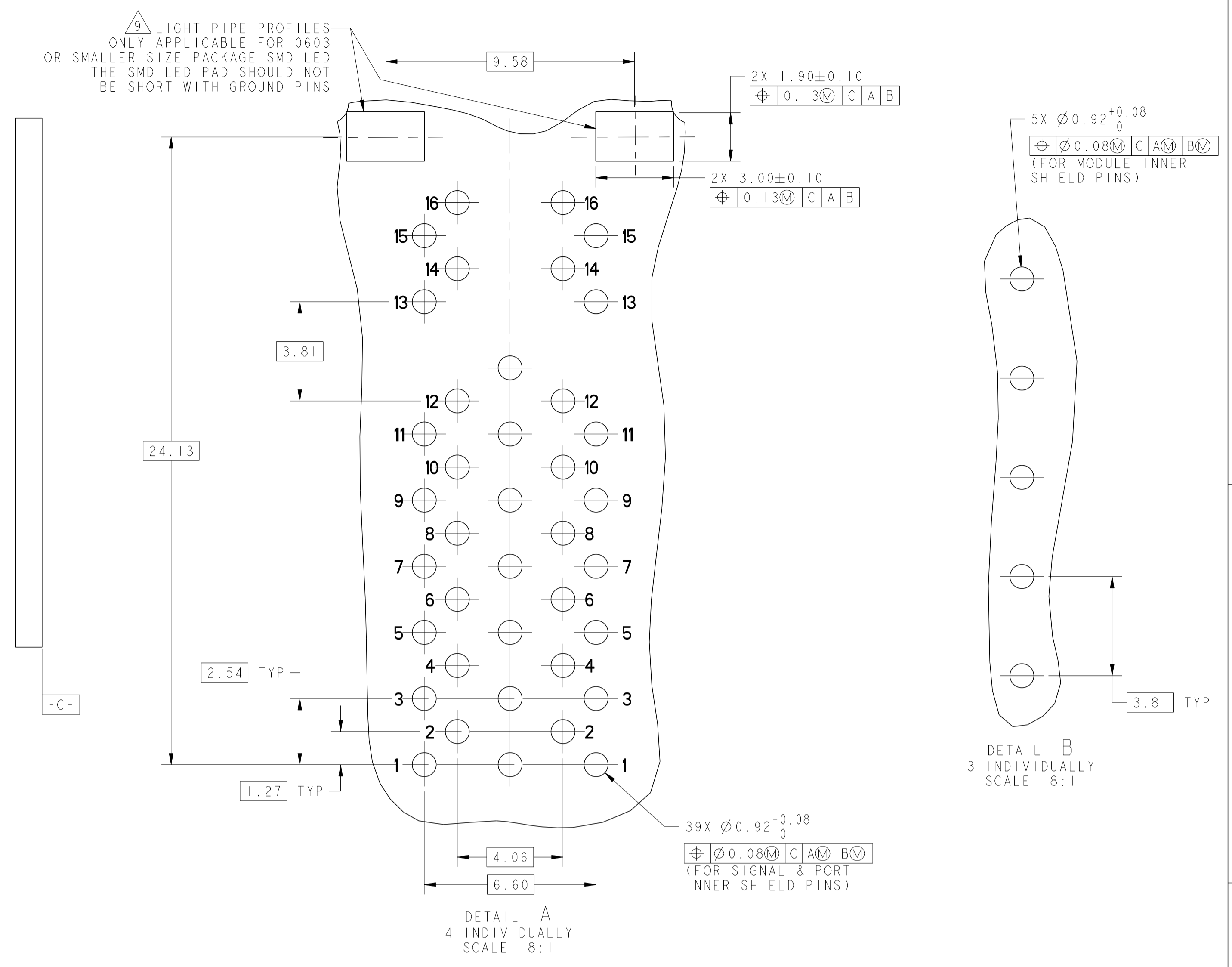
THIS DRAWING IS A CONTROLLED DOCUMENT. AND COMPLIANT TO ASME Y14.5M		DWN JARRY YE / YI LIU 03APR2023 CHK TOWER YU / BILL LIU 03APR2023 APVD TONY YUAN 03APR2023	DONGGUAN CHINA
DIMENSIONS: mm 	TOLERANCES UNLESS OTHERWISE SPECIFIED: 0 PLC ±0.25 1 PLC ±0.25 2 PLC ±0.25 3 PLC ± 4 PLC ± ANGLES ± APPLICATION SPEC ±	MODEL NAME MAGJACK STACK 4PPoE	
PRODUCT SPEC 108-104004		SIZE A1	CAGE CODE C=2250852
		CUSTOMER DRAWING	SCALE NTS SHEET 1 OF 5 REV 1



**RECOMMENDED PC BOARD LAYOUT
 (VIEW FROM COMPONENT SIDE)**



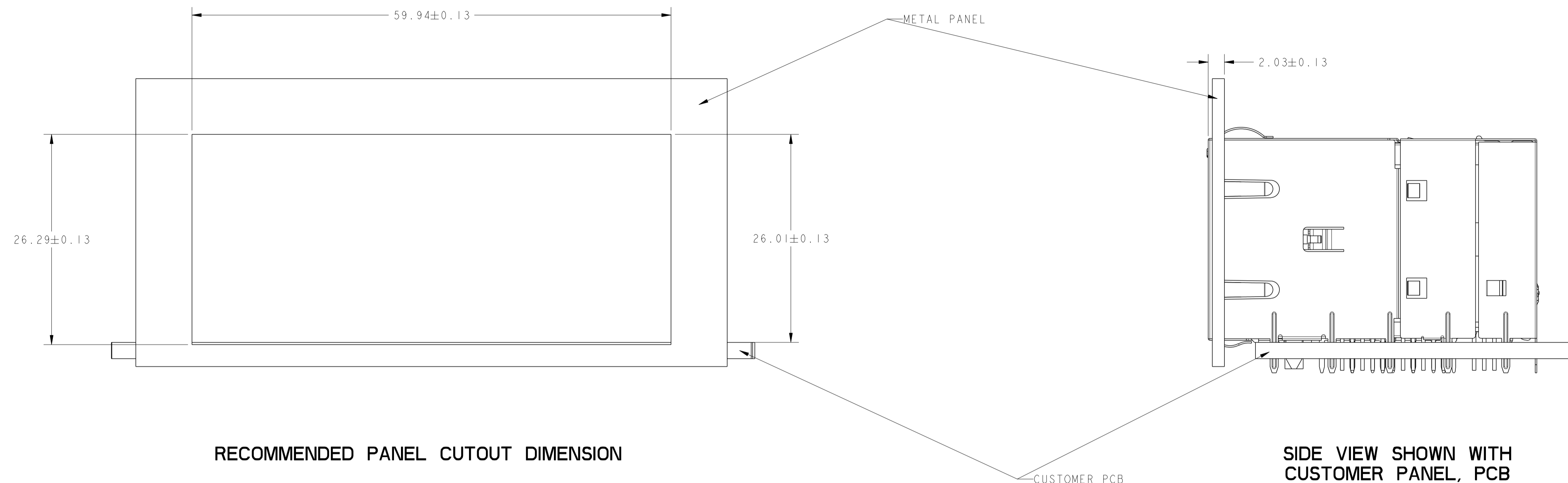
**THE SHADED AREA ON THE CUSTOMER BOARD ARE
 RECOMMENDED TO BE CLEAR OF ANY VIA HOLE OR
 COMPONENT PAD**



**DETAIL A
 4 INDIVIDUALLY
 SCALE 8:1**

**DETAIL B
 3 INDIVIDUALLY
 SCALE 8:1**

THIS DRAWING IS A CONTROLLED DOCUMENT AND COMPLIANT TO ASME Y14.5M		OWN: JARRY YE / YI LIU 03APR2023	 DONGGUAN CHINA
DIMENSIONS: mm		CHK: TOWER YU / BILL LIU 03APR2023	
TOLERANCES UNLESS OTHERWISE SPECIFIED:		APP'D: TONY YUAN 03APR2023	MODEL NAME: MAGJACK DESC: 2X4, S9UTG07LIET 10G 100W 4PPOE WITHOUT LED
0 PLC ±0.25 1 PLC ±0.25 2 PLC ±0.25 3 PLC ±0.25 4 PLC ±0.25 ANGLES ±°	PRODUCT SPEC: 108-104004	SIZE: A1 CAGE CODE: C=2250852 DRAWING NO:	RESTRICTED TO:
CUSTOMER DRAWING		SCALE: NTS	SHEET 1 OF 5 REV 1




RECOMMENDED PANEL CUTOUT DIMENSION

SIDE VIEW SHOWN WITH CUSTOMER PANEL, PCB

THIS DRAWING IS A CONTROLLED DOCUMENT. AND COMPLIANT TO ASME Y14.5M		OWN: JARRY YE / YI LIU CHK: TOWER YU / BILL LIU APVD: TONY YUAN	03APR2023 03APR2023 03APR2023	 DONGGUAN CHINA
DIMENSIONS: mm	TOLERANCES UNLESS OTHERWISE SPECIFIED:	MODEL NAME	DESC	
0 PLC ± 0.25 1 PLC ± 0.25 2 PLC ± 0.25 3 PLC \pm 4 PLC \pm ANGLES \pm APPLICATION SPEC \pm		MAGJACK STACK 4PpOE	2X4, S9UTG07LIET 10G 100W 4PPOE WITHOUT LED	
PRODUCT SPEC: 108-104004		SIZE: A1	CAGE CODE: C=2250852	RESTRICTED TO: -
CUSTOMER DRAWING			SCALE: NTS	SHEET 1 OF 5 REV 1

2250852					STOCK DISPOSITION			
2X4, S9UTG07LIET 10G 100W 4PPOE WITHOUT LED					A: CONTINUE AS IS		D: USE OLD FIRST	
					B: REWORK		E: PARTS TO CONFORM	
REVISION HISTORY					C: SCRAP		F: OTHER	
DATE	REV	CHANGES	REASON	APPROVAL	INVENTORY (A,B,C,D,E,F)	WORK IN PROCESS (A,B,C,F)	SUPPLIER ORDERS (A,E,F)	OPEN CUST ORDERS (A,E,F)
03APR2023	I	-	INITIAL RELEASE	TY	-	-	-	-

THIS DRAWING IS A CONTROLLED DOCUMENT. AND COMPLIANT TO ASME Y14.5M		OWN: JARRY YE / YI LIU 03APR2023		 trp CONNECTOR DONGGUAN CHINA
DIMENSIONS: mm		CHK: TOWER YU / BILL LIU 03APR2023		
TOLERANCES UNLESS OTHERWISE SPECIFIED:		APVD: TONY YUAN 03APR2023		DESC: 2X4, S9UTG07LIET 10G 100W 4PPOE WITHOUT LED
0 PLC ±0.25 1 PLC ±0.25 2 PLC ±0.25 3 PLC ± 4 PLC ±		MODEL NAME: MAGJACK		
PRODUCT SPEC: 108-104004		APPLICATION SPEC: -		SIZE: A1
		CUSTOMER DRAWING		RESTRICTED TO: -
		SCALE: NTS		SHEET 1 OF 5