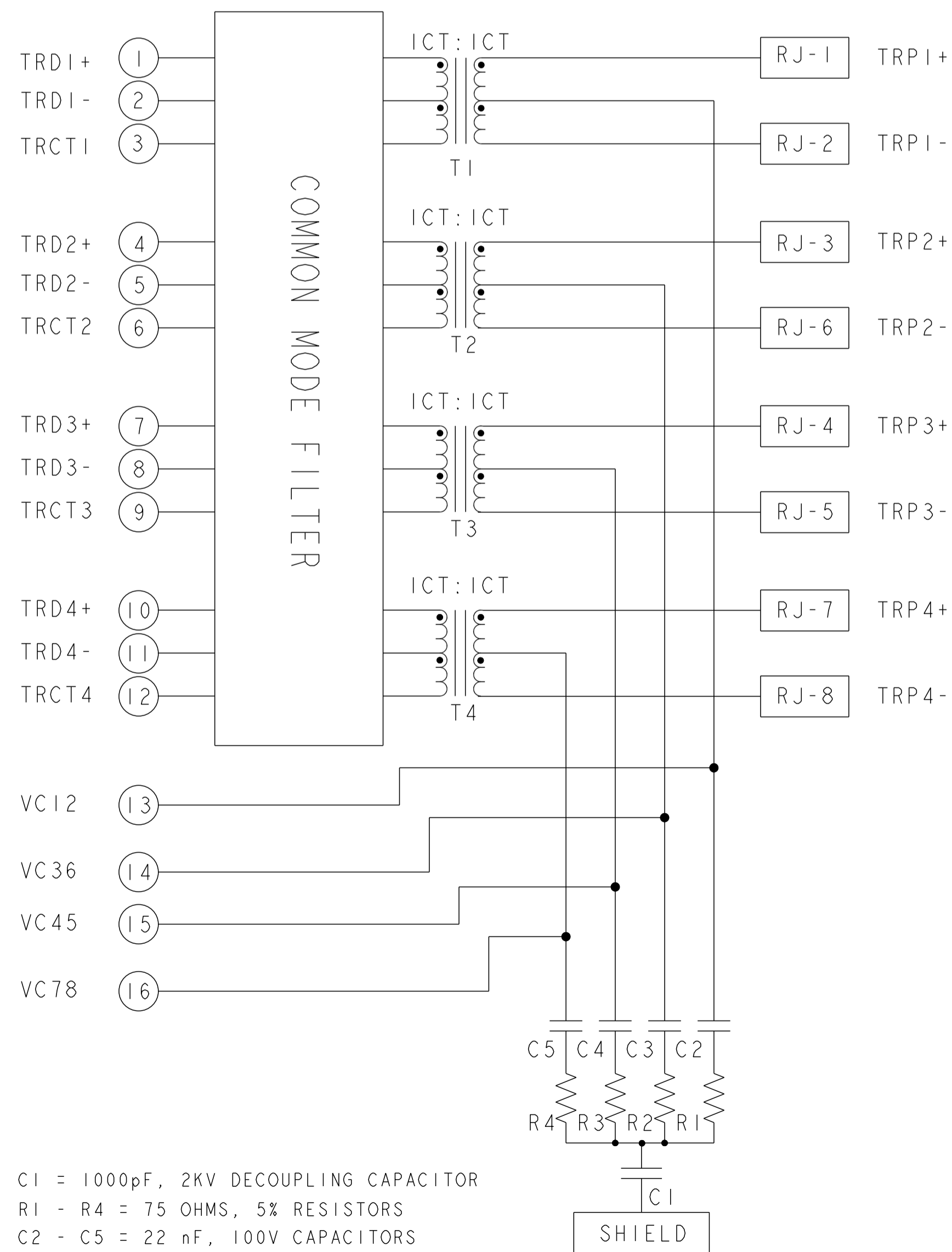


S9HTG08ET 10G 4PPoE CIRCUIT

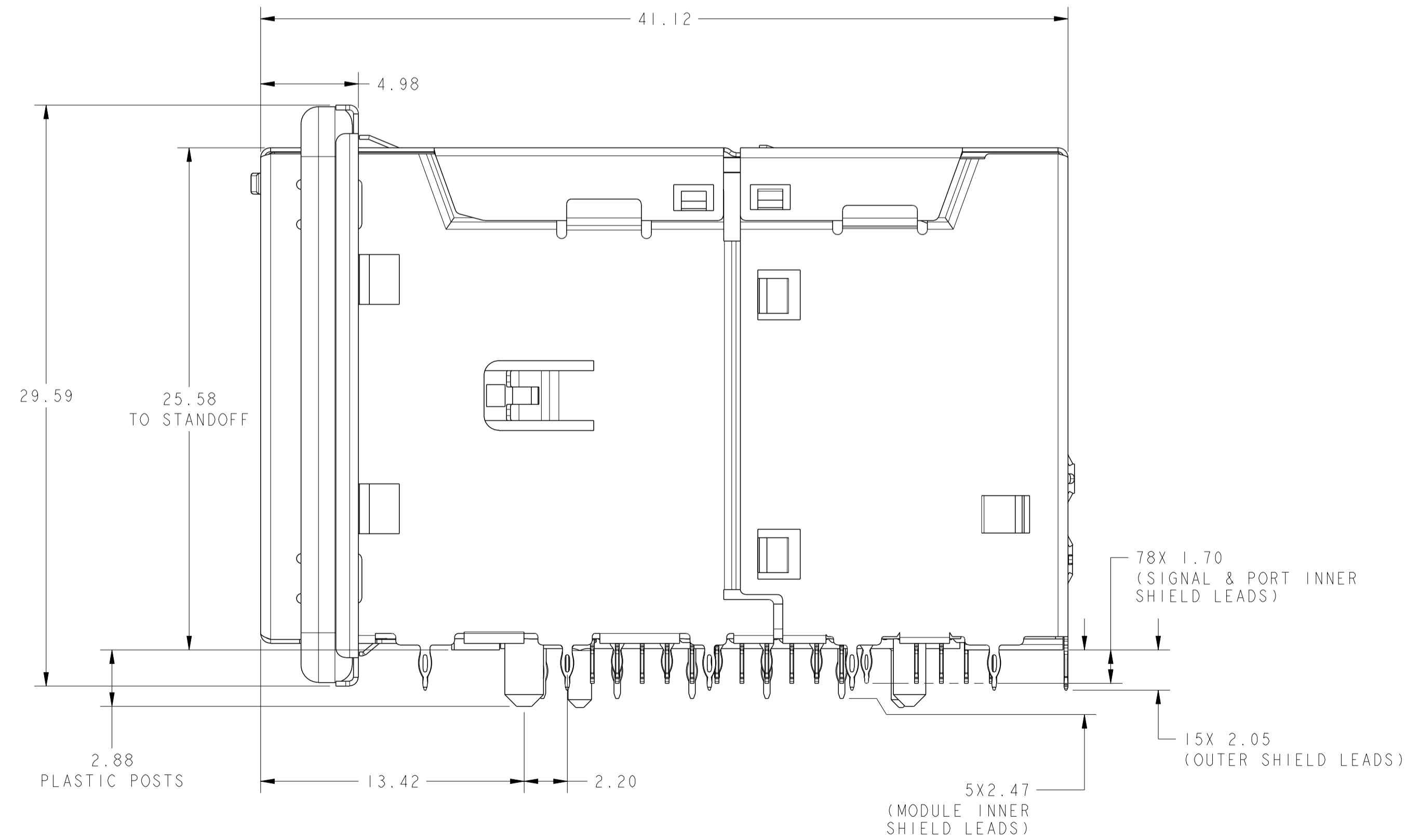
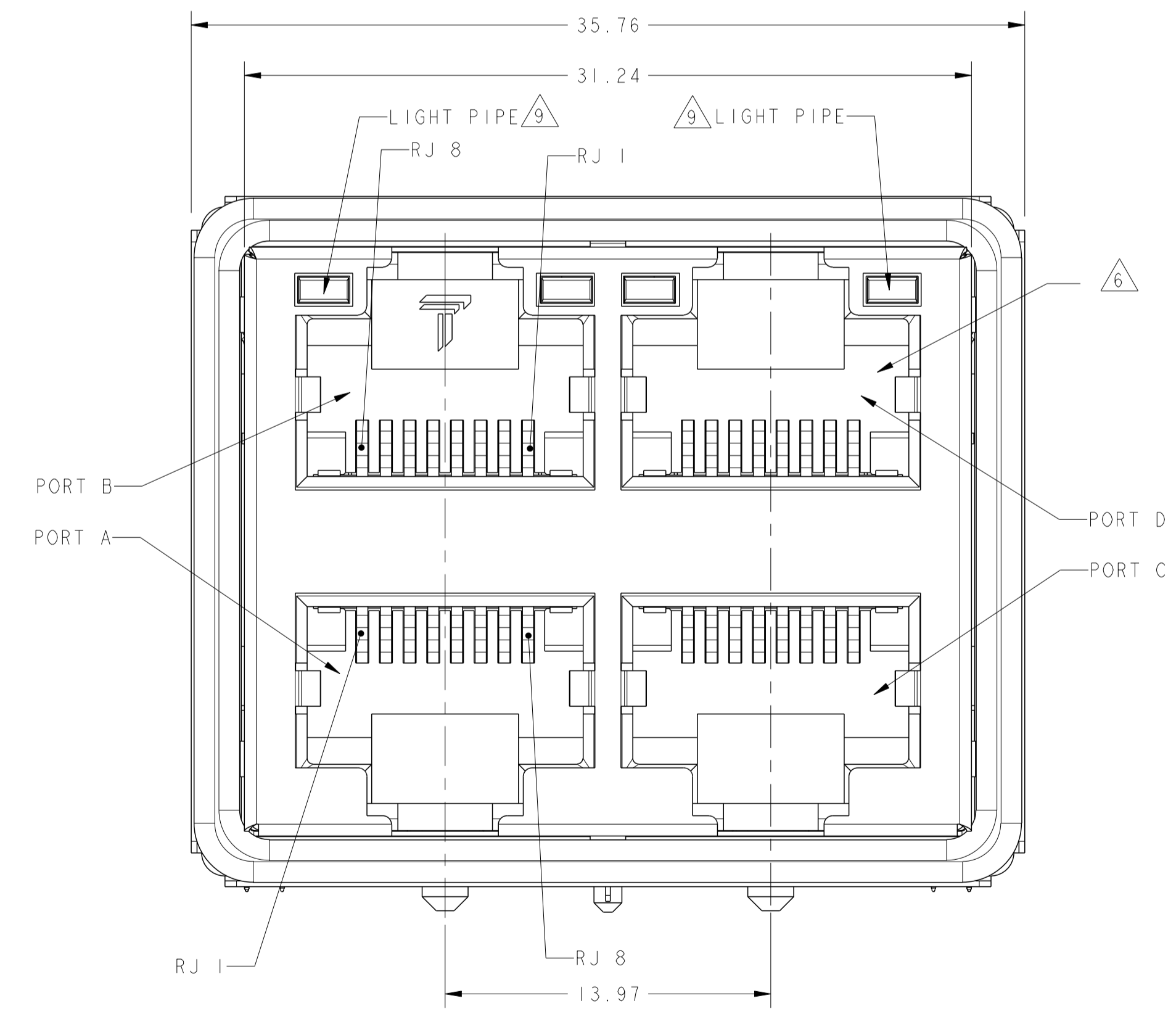
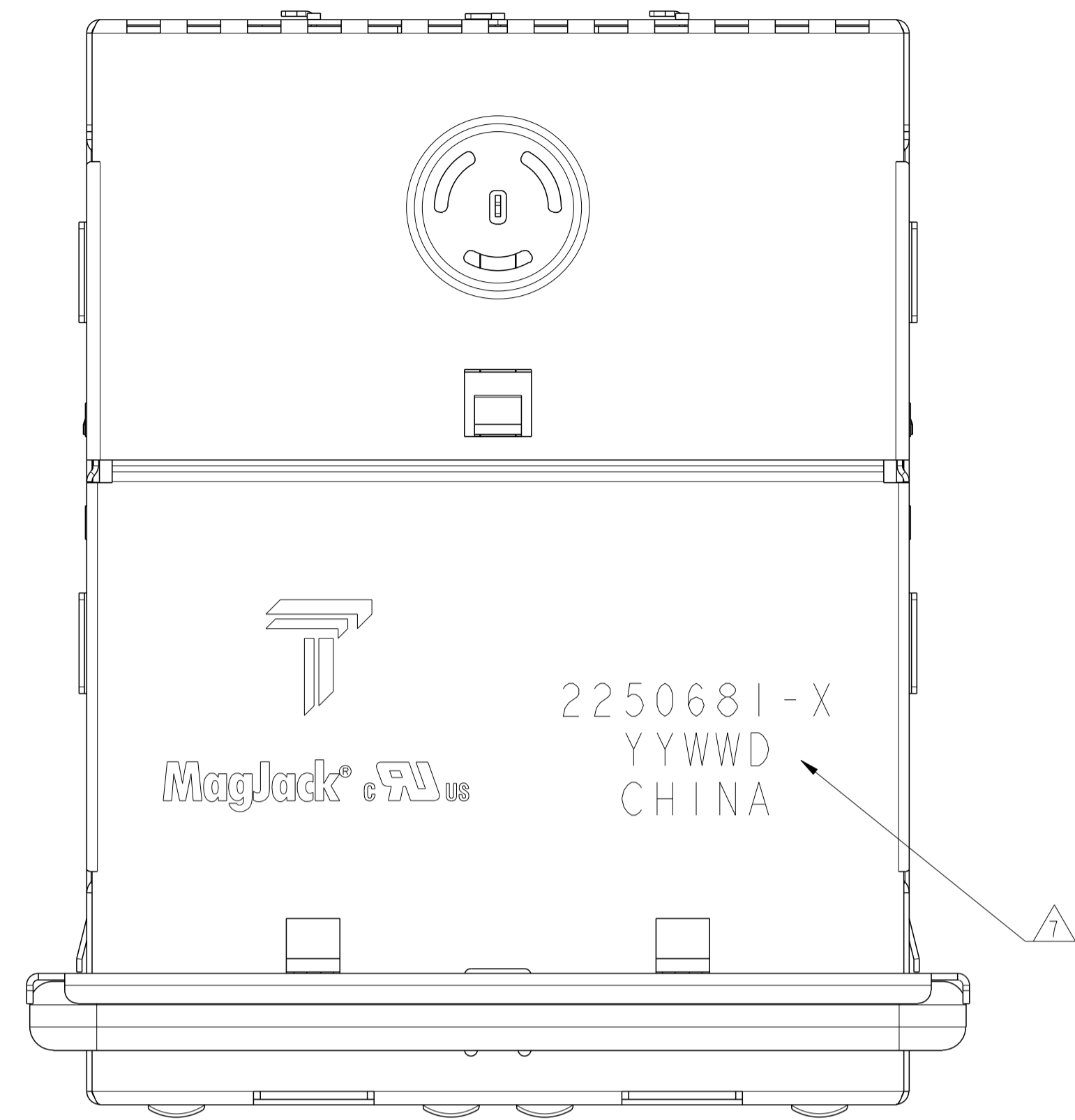


C1 = 1000pF, 2KV DECOUPLING CAPACITOR
 R1 - R4 = 75 OHMS, 5% RESISTORS
 C2 - C5 = 22 nF, 100V CAPACITORS

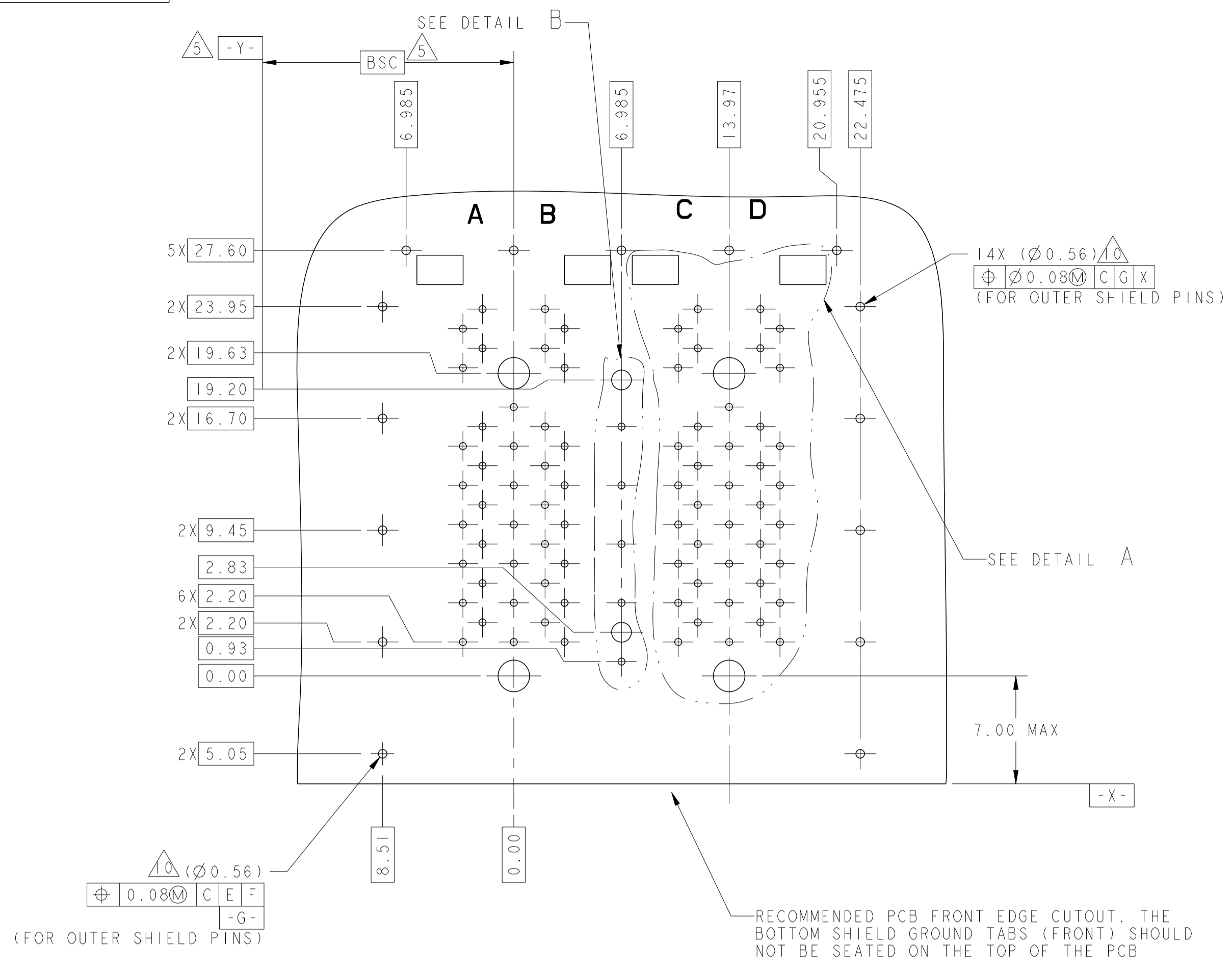
1. MATERIALS
 HOUSING: THERMOPLASTIC, BLACK, FLAMMABILITY RATING UL 94V-0
 SHIELD: NICKEL OR TIN PLATED ON COPPER ALLOY
 COMPLIANT PIN: PHOSPHOR BRONZE, PLATED WITH 2.54um MIN MATTE TIN OVER 1.27um MIN NICKEL
 CONTACT: PHOSPHOR BRONZE, WITH 1.27um MIN OVERALL NICKEL UNDERPLATE AND SELECTIVE 1.27um MIN GOLD PLATING AT MATING INTERFACE
2. MAGNETICS
 - APPLICATION: 1G/2.5G/5G/10G BASE-T, EXTENDED TEMPERATURE
 - IMPEDANCE: 100 OHMS
 - TURNS RATIO (CHIP:CABLE): 1:1 ALL FOUR PAIRS
 - OPEN CIRCUIT INDUCTANCE (OCL): 120uH MIN @100kHz, 0.1VRMS, 19mA DC BIAS, FROM -40°C TO 85°C. ALL FOUR PAIRS
 - ALL FOUR PAIRS BI-DIRECTIONAL
 - PoE CURRENT: 600mADC
 - PERFORMANCE @ 25°C (WHERE f IS FREQUENCY IN MHZ)
 (a) INSERTION LOSS (IL):
 1 MHZ TO 400 MHZ -0.5-1.3*(f-1)/400 dB MIN
 (b) RETURN LOSS (RL):
 1 MHZ TO 100 MHZ -17 dB MAX
 100 MHZ TO 500 MHZ -17 + 20.75LOG10(f/100) dB MAX
 (c) CROSSTALK ATTENUATION:
 1 MHZ TO 500 MHZ -20 dB MAX
 (d) COMMON MODE REJECTION:
 1 MHZ TO 500 MHZ -16 dB MAX
 - ISOLATION VOLTAGE: 2250VDC FOR 60 SECONDS WITH A RISE TIME OF 500V/SEC, WITH ALL PORTS CONNECTED.
3. THE MAGNETIC CIRCUIT ON ALL FOUR CHANNELS IS SYMMETRICAL AND SUPPORTS AUTO-MDIX OPERATION.
4. OPERATING TEMPERATURE: -40°C - 85°C.
5. DATUM Y AND BASIC DIMENSION ESTABLISHED BY CUSTOMER.
6. RJ45 CAVITY CONFORMS TO FCC RULES AND REGULATION PART 68 SUBPART F.
7. TRP CONNECTOR LOGO, PART NUMBER, DATE CODE, COUNTRY OF ORIGIN, AGENCY APPROVAL MARKING IN APPROPRIATE LOCATION SHOWN.
 DATE CODE: YYWWD WHERE "YY" IS YEAR, "WW" IS WORK WEEK, "D" IS DAY OF WEEK, WITH SUNDAY= 1
8. PANEL SEATING LOCATION WITH RESPECT TO CUSTOMER PCB EDGE.
9. THE FINISHED GOODS IS WITHOUT SMD LED, THE SMD LED IS PROVIDED BY CUSTOMER HERSELF, AND THE SMD LED IS MOUNTED ON CUSTOMER PCB.
10. FOR HOLE SIZE AND PLATINGS, SEE SHEET 4.

2250681-1
 PART NUMBER

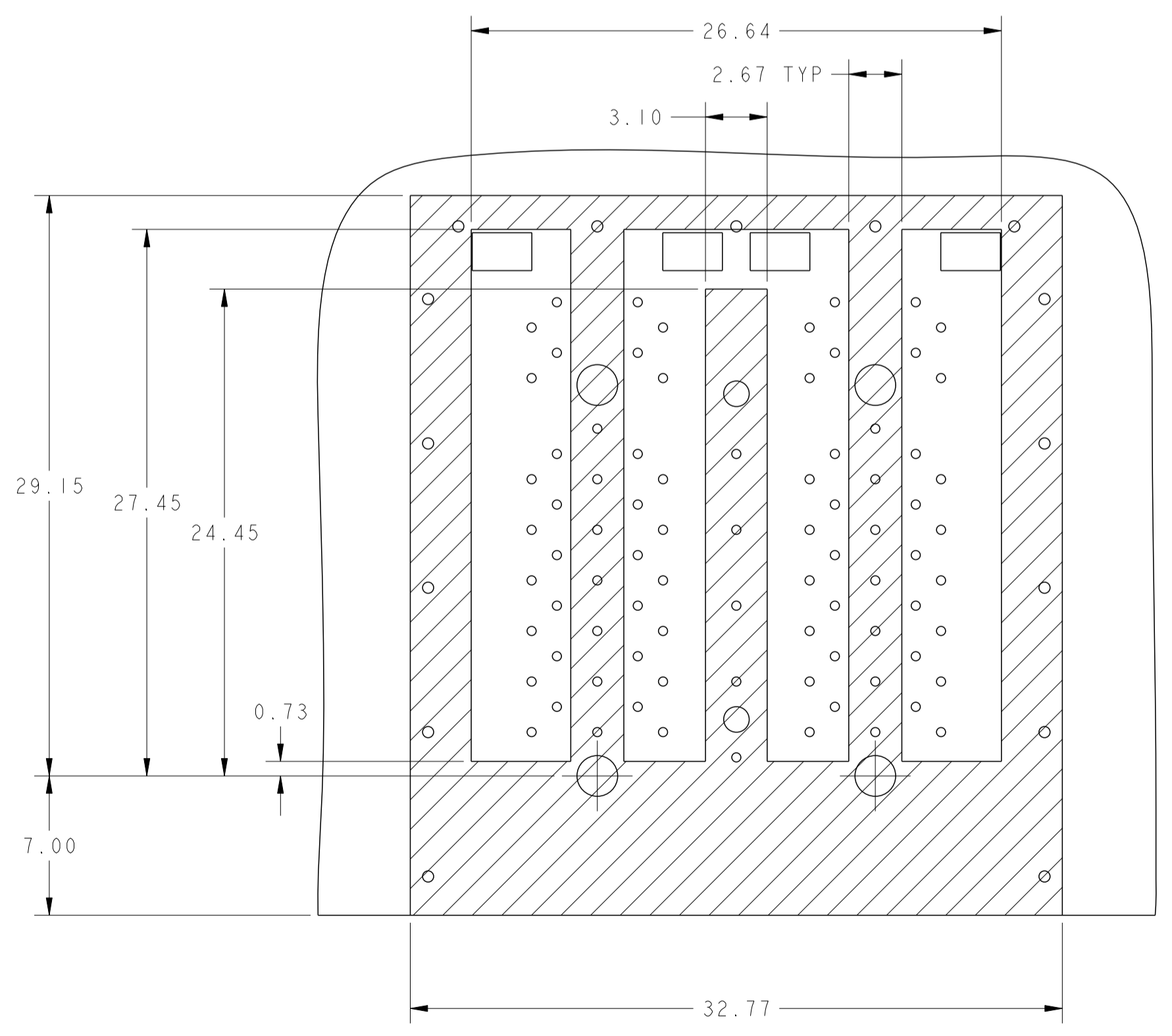
THIS DRAWING IS A CONTROLLED DOCUMENT. AND COMPLIANT TO ASME Y14.5M		OWN: JARRY YE / 10 JAN 2020	trp CONNECTOR a bel group DONGGUAN CHINA
DIMENSIONS: mm		CHK: TOWER YU / BILL LIU / 10 JAN 2020	
TOLERANCES UNLESS OTHERWISE SPECIFIED: 0 PLC ±0.25 1 PLC ±0.25 2 PLC ±0.25 3 PLC ±0.25 4 PLC ±0.25 ANGLES ±°		APVD: TONY YUAN / 10 JAN 2020	MODEL NAME: MAGJACK STACK 4PPoE DESC: 2X2, S9HTG08ET 10G 60W 4PPoE WITH LIGHT PIPE SIZE: A1 CAGE CODE: C=2250681 DRAWING NO: 108-104017 APPLICATION SPEC: -
PRODUCT SPEC: 108-104017		CUSTOMER DRAWING	
SCALE: NTS		SHEET 1 OF 6 REV 3	



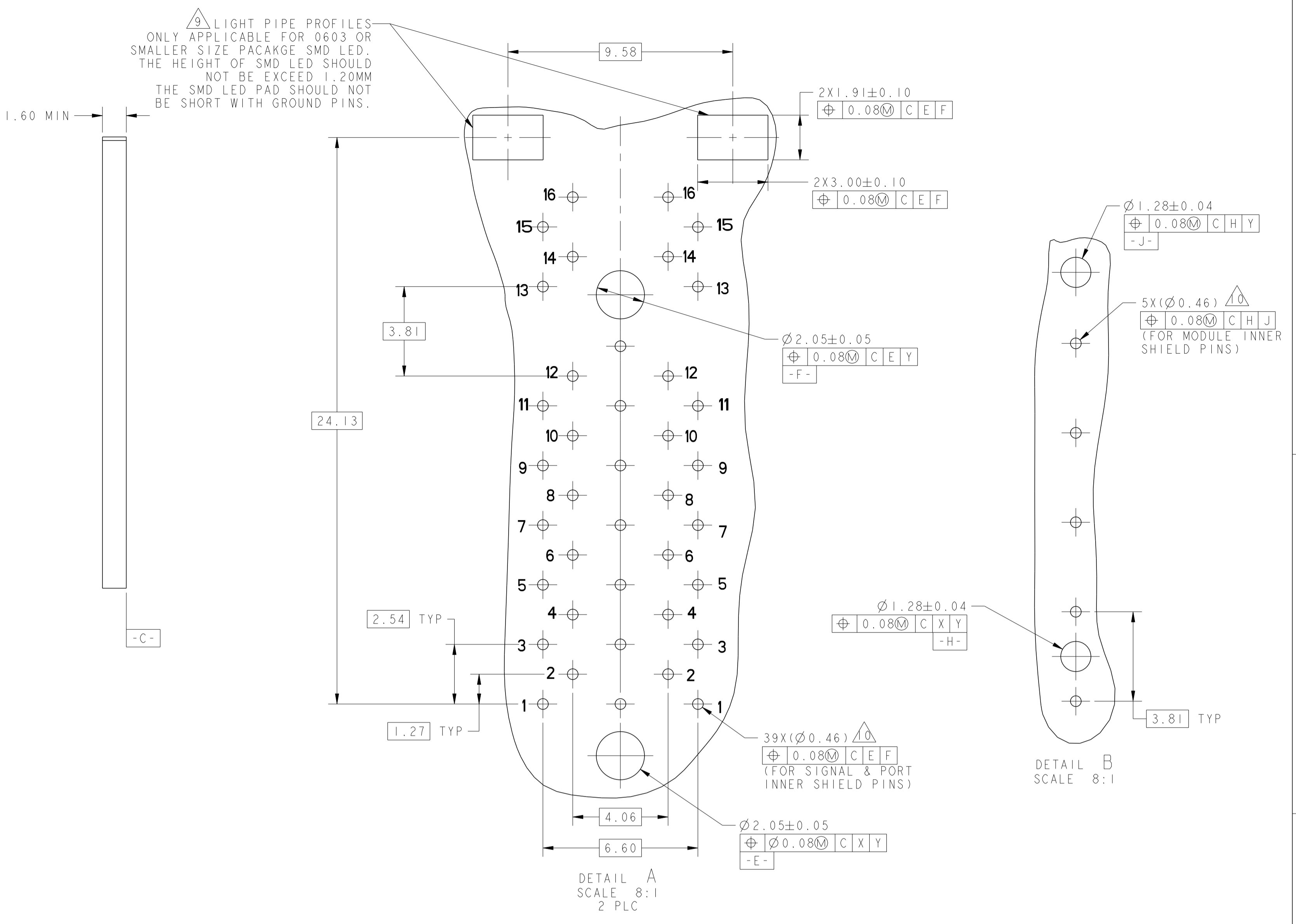
THIS DRAWING IS A CONTROLLED DOCUMENT. AND COMPLIANT TO ASME Y14.5M		OWN: JARRY YE / TERRY LIN CHK: TOWER YU / BILL LIU APP'D: TONY YUAN	10 JAN 2020 10 JAN 2020 10 JAN 2020	trp CONNECTOR DONGGUAN CHINA
DIMENSIONS: mm		TOLERANCES UNLESS OTHERWISE SPECIFIED:		
		0 PLC ±0.25 1 PLC ±0.25 2 PLC ±0.25 3 PLC ±0.25 4 PLC ±0.25 ANGLES ±°	MODEL NAME: MAGJACK DESC: 2X2, S9HTG08ET 10G 60W 4PPoE WITH LIGHT PIPE	
PRODUCT SPEC: 108-104017		APPLICATION SPEC: -		SIZE: A1 CAGE CODE: C=2250681 DRAWING NO: - RESTRICTED TO: -
CUSTOMER DRAWING			SCALE: NTS	SHEET 2 OF 6 REV 3



**RECOMMENDED PC BOARD LAYOUT
 (VIEW FROM COMPONENT SIDE)**



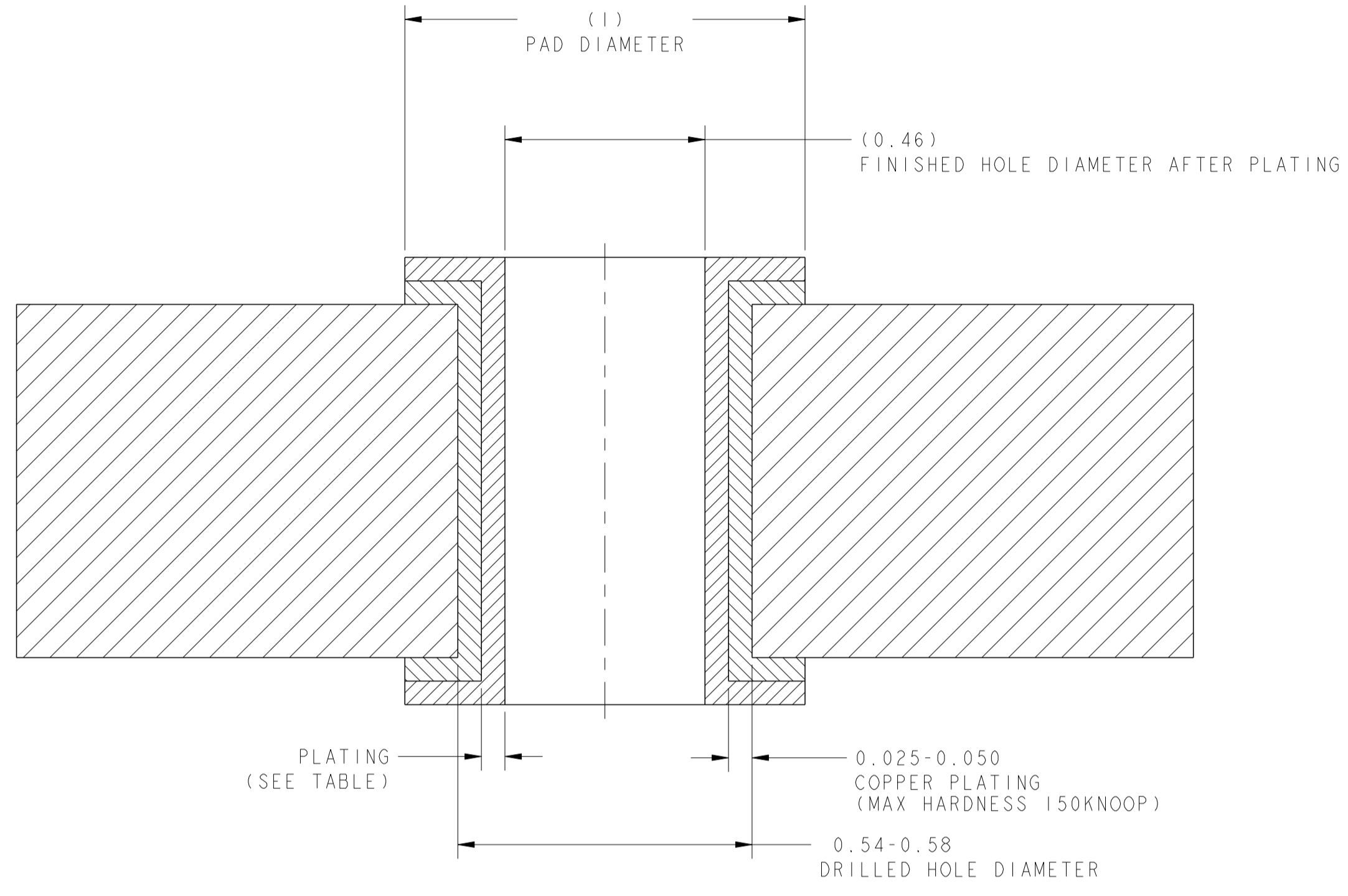
**THE SHADED AREA ON THE CUSTOMER BOARD ARE
 RECOMMENDED TO BE CLEAR OF ANY VIA HOLE OR
 COMPONENT PAD**



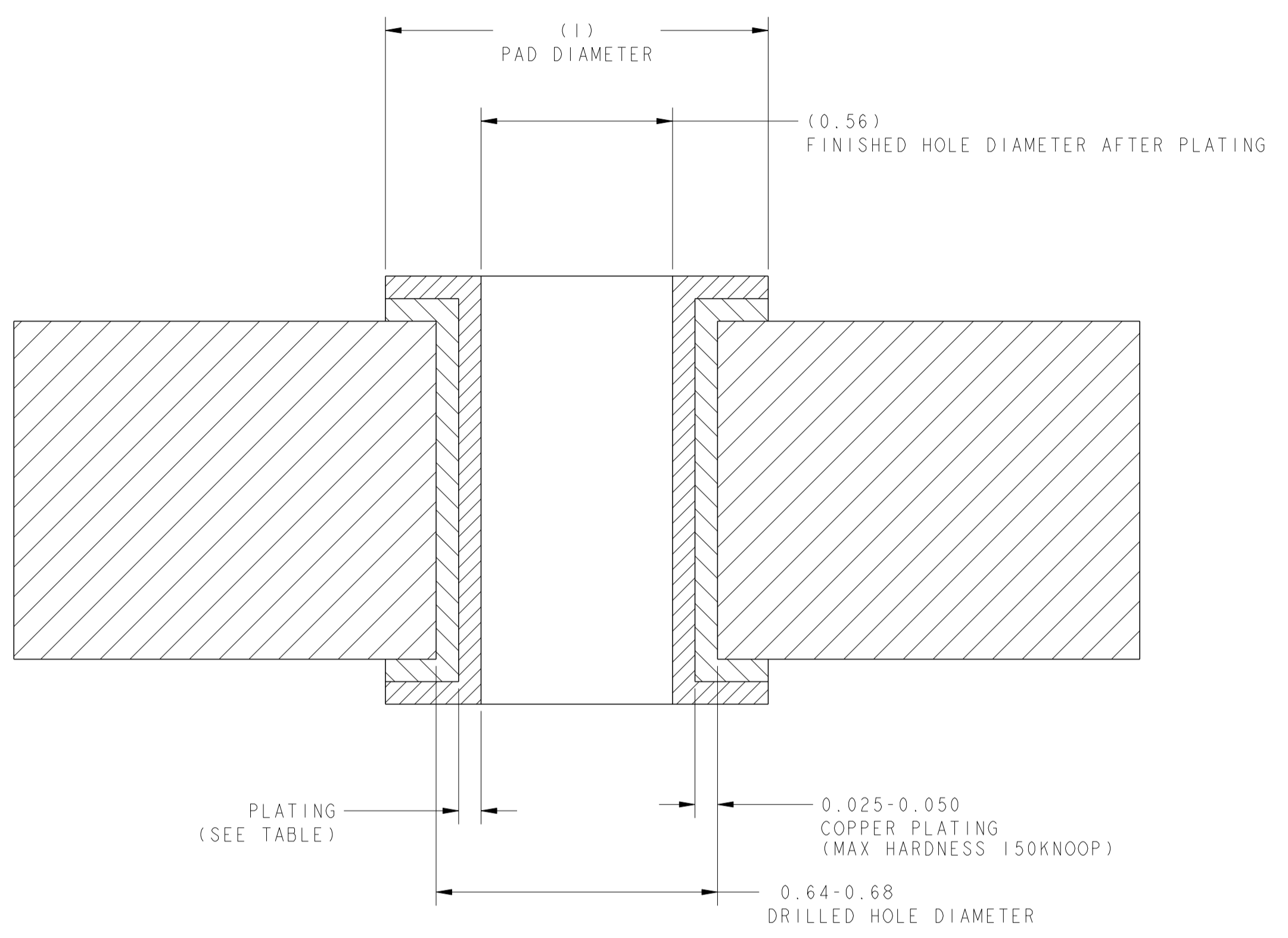
**DETAIL A
 SCALE 8:1
 2 PLC**

**DETAIL B
 SCALE 8:1**

THIS DRAWING IS A CONTROLLED DOCUMENT. AND COMPLIANT TO ASME Y14.5M		DWN: JARRY YE / TERRY LIN CHK: TOWER YU / BILL LIU APVD: TONY YUAN DATE: 10JAN2020	DONGGUAN CHINA
DIMENSIONS: mm	TOLERANCES UNLESS OTHERWISE SPECIFIED:	MODEL NAME: MAGJACK STACK 4PPoE	DESC: 2X2, S9HTG08ET 10G 60W 4PPoE WITH LIGHT PIPE
0 PLC ±0.25 1 PLC ±0.25 2 PLC ±0.25 3 PLC ±0.25 4 PLC ±0.25 ANGLES ±° APPLICATION SPEC ±°	0.08 (C E F) 0.08 (C G X) 0.08 (C H J) 0.08 (C X Y)	SIZE: A1 CAGE CODE: C=2250681 DRAWING NO:	RESTRICTED TO: - SCALE: NTS SHEET: 3 OF 6 REV: 3
PRODUCT SPEC: 108-104017		CUSTOMER DRAWING	



RECOMMENDED HOLE DIMENSIONS FOR SIGNAL & INNER SHIELD CONTACTS

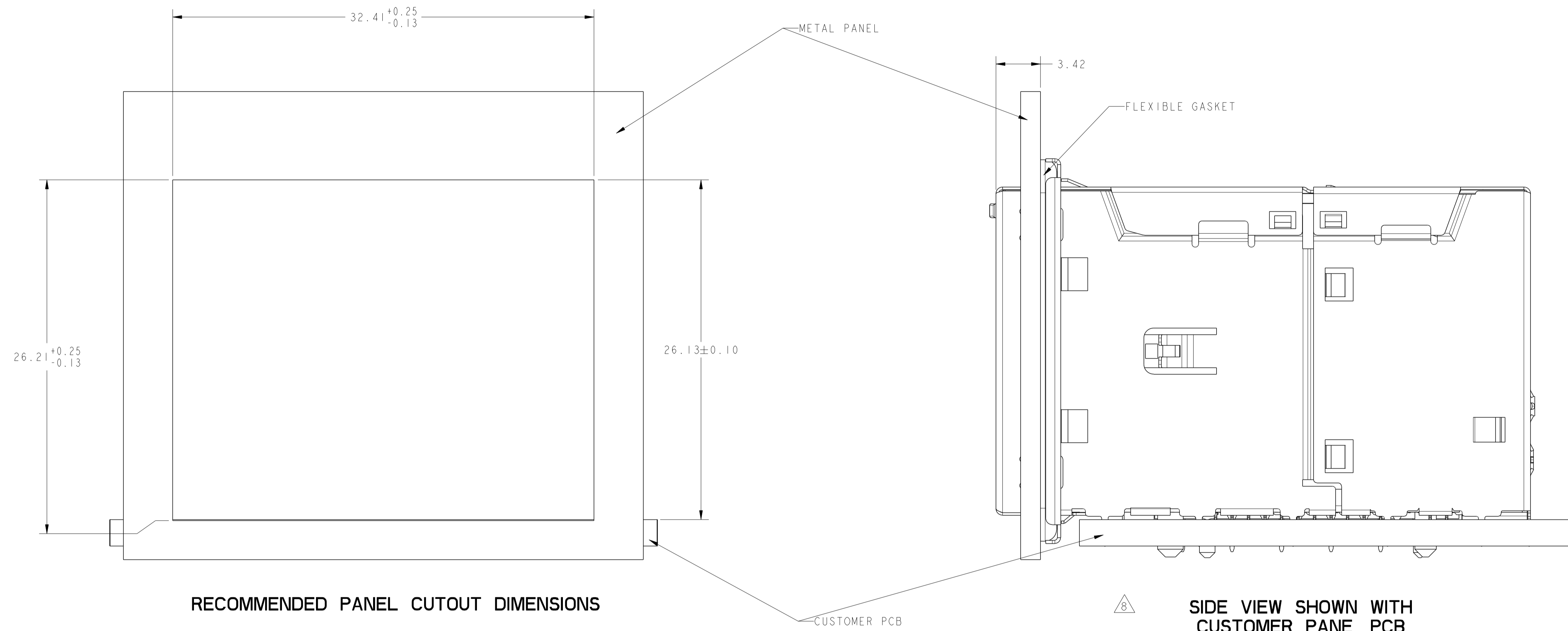


RECOMMENDED HOLE DIMENSIONS FOR OUTER SHIELD CONTACTS

THICKNESS	PLATING
0.004-0.010	HOT AIR SOLDER LEVELING (HASL) TIN-LEAD (Sn Pb)
0.0005-0.001	IMMERSION TIN (Sn)
0.0002-0.0005	ORGANIC SOLDERABILITY PRESERVATIVE (OSP)
0.0001-0.0005 Au, 0.004-0.0076 Ni	IMMERSION GOLD (Au) OVER NICKEL (Ni) (ENIG)
0.010-0.025	TIN LEAD PLATING (Sn Pb)
0.0001-0.00015	IMMERSION SILVER (Ag)

THIS DRAWING IS A CONTROLLED DOCUMENT AND COMPLIANT TO ASME Y14.5M

DIMENSIONS: mm 	TOLERANCES UNLESS OTHERWISE SPECIFIED: 0 PLC ±0.25 1 PLC ±0.25 2 PLC ±0.25 3 PLC ±0.25 4 PLC ±0.25 ANGLES ±° APPLICATION SPEC ±°	DWN: JARRY YE / TERRY LIN 10JAN2020 CHK: TOWER YU / BILL LIU 10JAN2020 APVD: TONY YUAN 10JAN2020 MODEL NAME: MAGJACK STACK 4PPoE DESC: 2X2, S9HTG08ET 10G 60W 4PPoE WITH LIGHT PIPE SIZE: A1 CAGE CODE: - DRAWING NO: C=2250681 RESTRICTED TO: - CUSTOMER DRAWING	 DONGGUAN CHINA SCALE: NTS SHEET: 4 OF 6 REV: 3
--------------------	---	--	---




RECOMMENDED PANEL CUTOUT DIMENSIONS

△ SIDE VIEW SHOWN WITH CUSTOMER PANE, PCB

THIS DRAWING IS A CONTROLLED DOCUMENT. AND COMPLIANT TO ASME Y14.5M		DWN: JARRY YE / TERRY LIN 10JAN2020 CHK: TOWER YU / BILL LIU 10JAN2020 APVD: TONY YUAN 10JAN2020	DONGGUAN CHINA
DIMENSIONS: mm 	TOLERANCES UNLESS OTHERWISE SPECIFIED: 0 PLC ±0.25 1 PLC ±0.25 2 PLC ±0.25 3 PLC ±0.25 4 PLC ± ANGLES ±° APPLICATION SPEC ±	MODEL NAME: MAGJACK STACK 4PPoE DESC: 2X2, S9HTG08ET 10G 60W 4PPoE WITH LIGHT PIPE	
PRODUCT SPEC: 108-104017	APPLICATION SPEC: -	SIZE: A1 CAGE CODE: C=2250681 DRAWING NO: -	RESTRICTED TO: - SCALE: NTS SHEET: 5 OF 6 REV: 3

2250681				STOCK DISPOSITION				
2X2, S9HTG08ET 10G 60W 4PPoE, WITH LIGHT PIPE				A: CONTINUE AS IS D: USE OLD FIRST B: REWORK E: PARTS TO CONFORM C: SCRAP F: OTHER				
REVISION HISTORY								
DATE	REV	CHANGES	REASON	APPROVAL	INVENTORY (A,B,C,D,E,F)	WORK IN PROCESS (A,B,C,F)	SUPPLIER ORDERS (A,E,F)	OPEN CUST ORDERS (A,E,F)
10JAN2020	1	-	INITIAL RELEASE	TONY YUAN	-	-	-	-
04AUG2020	2	SHEET 2 : 1A, CHANGE DIMENSION 20X2.46 TO 5X2.47 ADD DIMENSION 15X2.05 SHEET 3 : 5C, CHANGE DIMENSION 7.55 TO 7.00	DESIGN CHANGE	TONY YUAN	-	-	-	-
02DEC2020	3	NOTE 2: REMOVED "160uH MIN @100kHz, 0.1VRMS, FROM -40°C TO 85°C, ALL FOUR PAIRS."	DRAWING CLARIFICATION	TONY YUAN	-	-	-	-

THIS DRAWING IS A CONTROLLED DOCUMENT. AND COMPLIANT TO ASME Y14.5M		OWN: JARRY YE / TERRY LIN CHK: TOWER YU / BILL LIU APP'D: TONY YUAN	10JAN2020 10JAN2020 10JAN2020	 trp CONNECTOR DONGGUAN CHINA a bel group
DIMENSIONS: mm	TOLERANCES UNLESS OTHERWISE SPECIFIED: 0 PLC ±0.25 1 PLC ±0.25 2 PLC ±0.25 3 PLC ±0.25 4 PLC ± ANGLES APPLICATION SPEC	MODEL NAME MAGJACK STACK 4PPoE	DESC 2X2, S9HTG08ET 10G 60W 4PPoE WITH LIGHT PIPE	
PRODUCT SPEC 108-104017		SIZE A1	CAGE CODE C=2250681	RESTRICTED TO -
CUSTOMER DRAWING			SCALE NTS	SHEET 6 OF 6 REV 3