

THE INFORMATION CONTAINED HEREIN IS CONSIDERED "PROPRIETARY" TO BEL FUSE INC. AND SHALL NOT BE COPIED, REPRODUCED OR DISCLOSED WITHOUT THE WRITTEN APPROVAL OF BEL FUSE INC.

RoHS



RJ45

LED 2 & 4 POLARITY	LED 1 & 3 POLARITY	PIN 11	PIN 12	COLOR	PIN 13	PIN 14	COLOR
+	-	+	-	GREEN	+	-	GREEN

**ELECTRICAL CHARACTERISTICS @ 25°C**

**TURNS RATIO**

TP1 1CT : 1CT ±2%  
 TP2 1CT : 1CT ±2%

**DCL @ 100kHz/100mVRMS**

8mA DC BIAS 350µH MIN.

**INS. LOSS**

0.1MHz TO 1MHz -1.1 dB MAX  
 1MHz TO 65MHz -0.5 dB MAX  
 65MHz TO 100MHz -1.0 dB MAX

**RET. LOSS (MIN)**

0.5MHz-40MHz -18 dB  
 40MHz-80MHz -12+20LOG(f/80MHz) dB

**CM TO CM REJ**

100kHz - 100MHz -30 dB MIN

**CM TO DM REJ**

100kHz - 100MHz -35 dB MIN

**HIPOT (Isolation Voltage):**

1500 V<sub>rms</sub>

**100% OF PRODUCTION TESTED**

TO COMPLY WITH IEEE 802.3 ISOLATION REQUIREMENTS

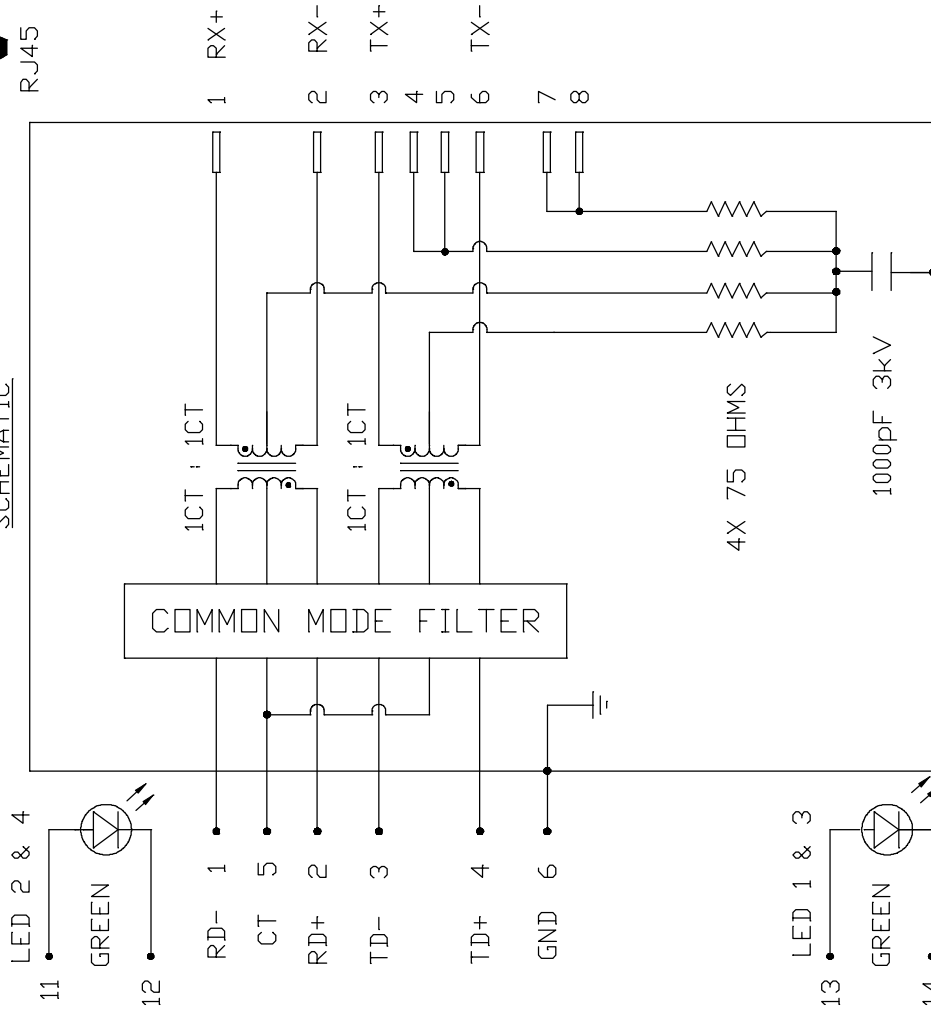
LEDS 1, 2, 3 AND 4

VF (FORWARD VOLTAGE) IF=20mA GREEN 2.2V TYP.

λD (DOMINANT WAVELENGTH) IF=20mA GREEN 570nm TYP.

OPERATING TEMPERATURE: -40°C TO 85°C

**SCHEMATIC**

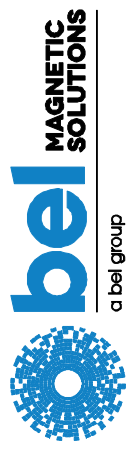


SHIELD

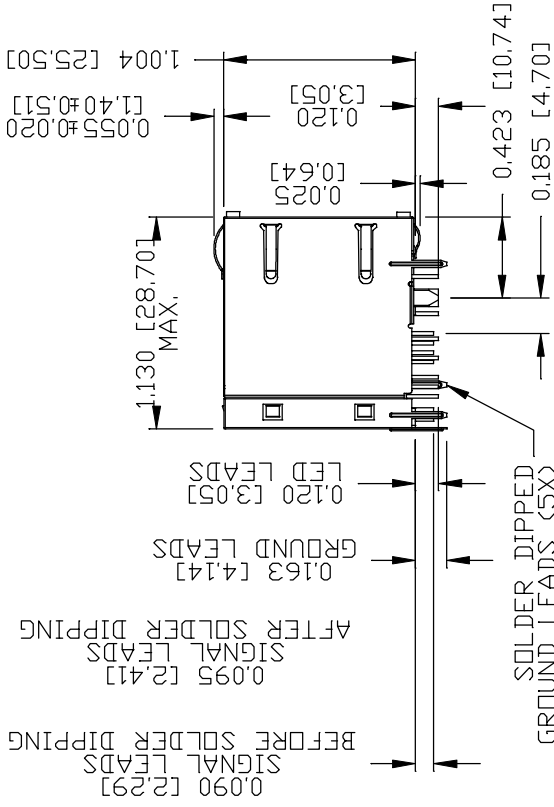
REV. : B PAGE : 2

<b>ORIGINATED BY</b> CHOW WANGCHUNG	<b>TITLE</b> 2X2 MagJack® (EXTENDED TEMPERATURE)	<b>STANDARD DIM. TOL. IN INCH</b> .X	<b>PART NO. / DRAWING NO.</b> 0879-2G2J15C
<b>DATE</b> 2016-04-15	<b>FILE NAME</b> 0879-2G2J-15C PATENTED	<b>[ ] METRIC DIM. AS REF.</b>	
<b>DRAWN BY</b> MURPHY LEE		<b>UNIT : INCH [mm]</b> SCALE : N/A	
<b>DATE</b> 2016-04-15		<b>SIZE : A4</b>	

This document is electronically generated. This is a controlled copy if used internally

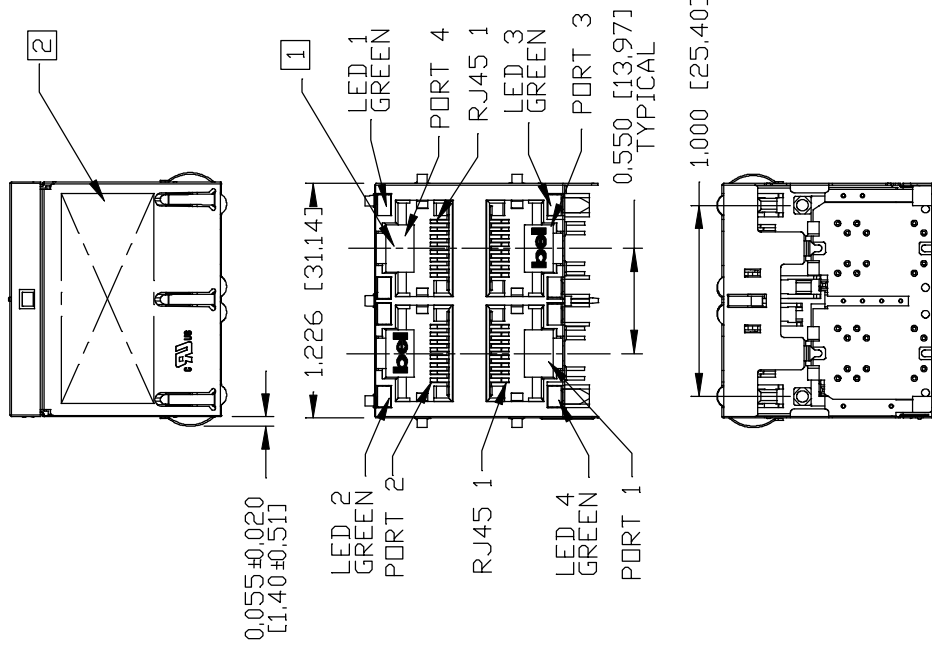


THE INFORMATION CONTAINED HEREIN IS CONSIDERED 'PROPRIETARY' TO BEL FUSE, INC. AND SHALL NOT BE COPIED, REPRODUCED OR DISCLOSED WITHOUT THE WRITTEN APPROVAL OF BEL FUSE, INC.



**NOTES:**

- PLASTIC HOUSING: THERMOPLASTIC PBT FLAMMABILITY RATING UL 94V-0
- CONTACT PLATING: 50 MICRO-INCH HARD GOLD PLATING OR EQUIVALENT. (COVER NICKEL UNDERPLATING)
- OUTPUT PINS: TIN-COATED COPPER WIRE, DIA 0.018 INCH.
- METAL SHIELD: NICKEL PLATED ON COPPER ALLOY. (ALL GROUND LEADS ARE SOLDER DIPPED)
- [1] JACK CAVITY CONFORMS TO FCC RULES AND REGULATIONS, PART 68 SUBPART F.
- [2] MARK PART WITH MFG LOGO, MFG NAME, PART NUMBER, DATE CODE AND PATENTED.
- 3. THE PRODUCT IS RoHS COMPLIANT.

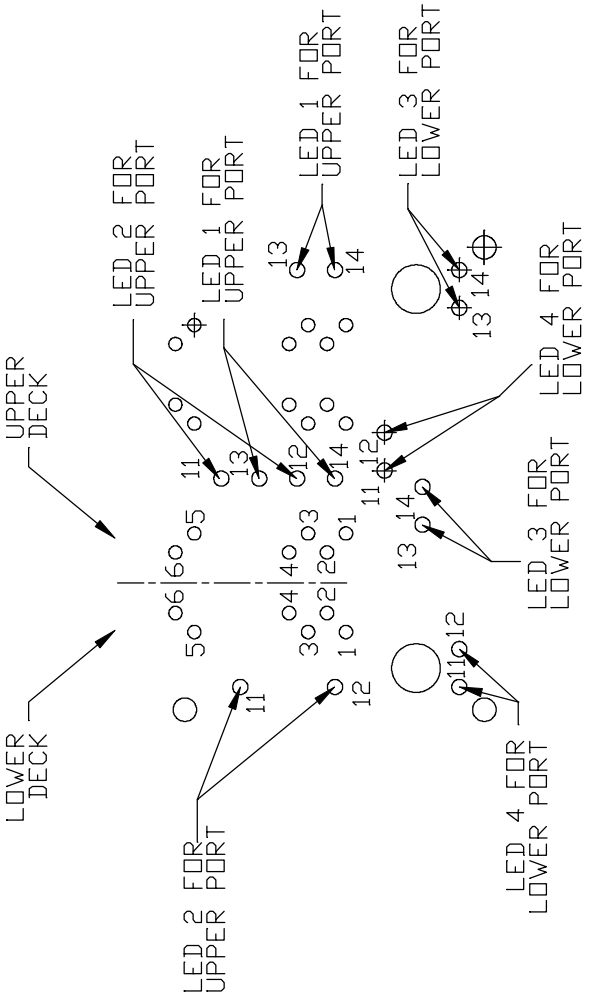


**FUS** UL RECOGNIZED - FILE #E196366 AND E169987.  
 4. THE PRODUCT IS PATENTED, THE PATENT NUMBER ARE U.S. PAT. 6,840,817 AND U.S. PAT. 7,123,117.

<b>STANDARD DIM. TOL. IN INCH</b> .X .XX .XXX		<b>STANDARD DIM. [ ] METRIC DIM. AS REF.</b> UNIT : INCH [mm] SCALE : N/A SIZE : A4		<b>REV. :</b> B <b>PAGE :</b> 3
<b>PART NO. / DRAWING NO.</b> 0879-2G2J15C		<b>FILE NAME</b> 0879-2G2J15C_B.DWG		 a bel group
<b>TITLE</b> 2X2 MagJack® (EXTENDED TEMPERATURE)		<b>DATE</b> 2016-04-15 <b>DRAWN BY</b> XUE RIPING <b>DATE</b> 2016-04-15		
<b>ORIGINATED BY</b> SANDY LIN		<b>DATE</b> 2016-04-15		

This document is electronically generated. This is a controlled copy if used internally

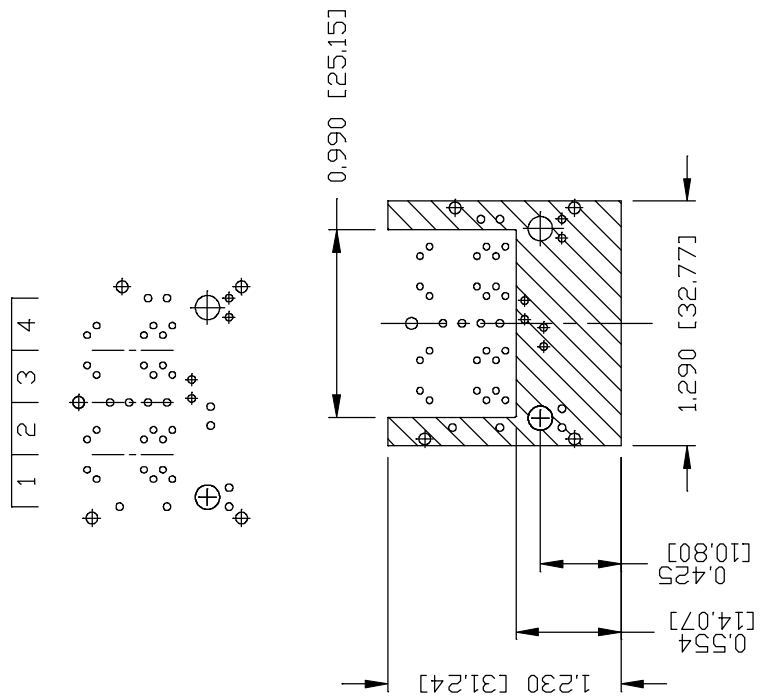
THE INFORMATION CONTAINED HEREIN IS CONSIDERED "PROPRIETARY" TO BEL FUSE INC. AND SHALL NOT BE COPIED, REPRODUCED OR DISCLOSED WITHOUT THE WRITTEN APPROVAL OF BEL FUSE INC.



PIN-OUT INFORMATION  
(COMPONENT SIDE VIEW)

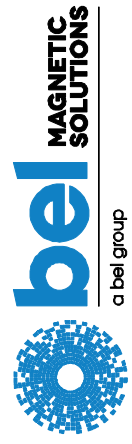
14	GREEN (-)
13	GREEN (+)
12	GREEN (-)
11	GREEN (+)
6	GND
5	TRDC1/2
4	TRD 2+
3	TRD 2-
2	TRD 1+
1	TRD 1-

PORT ASSIGNMENT  
(COMPONENT SIDE VIEW)



THE SHADED AREA ON THE CUSTOMER BOARD ARE RECOMMENDED TO BE CLEAR OFF ANY VIA HOLE OR COMPONENT PAD.

REV. : B PAGE : 4	
ORIGINATED BY SANDY LIN DATE 2016-04-15	PART NO. / DRAWING NO. 0879-2G2J15C
DRAWN BY XUE RIPING DATE 2016-04-15	FILE NAME 0879-2G2J15C_B.DWG
TITLE <EXTENDED TEMPERATURE> 2X2 MagJack® 0879-2G2J-15C PATENTED	STANDARD DIM. [ ] METRIC DIM. AS REF. TOL. IN INCH .X UNIT : INCH [mm] SCALE : N/A SIZE : A4



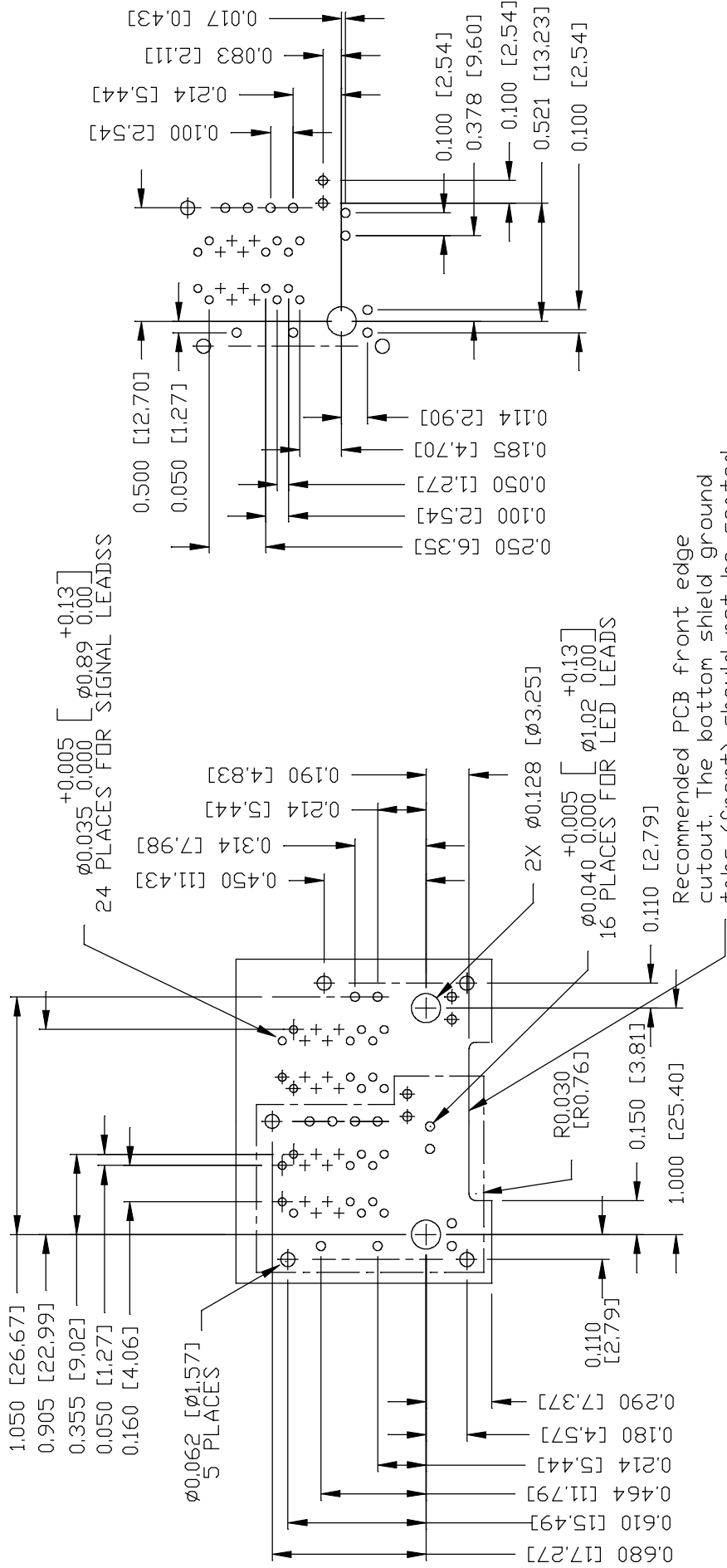
This document is electronically generated. This is a controlled copy if used internally

RoHS



THE INFORMATION CONTAINED HEREIN IS CONSIDERED "PROPRIETARY" TO BEL FUSE, INC. AND SHALL NOT BE COPIED, REPRODUCED OR DISCLOSED WITHOUT THE WRITTEN APPROVAL OF BEL FUSE, INC.

RoHS



SUGGESTED FOOTPRINT

(COMPONENT SIDE VIEW)

<b>ORIGINATED BY</b> SANDY LIN <b>DATE</b> 2016-04-15 <b>DRAWN BY</b> XUE RIPING <b>DATE</b> 2016-04-15	<b>TITLE</b> 2X2 MagJack® (EXTENDED TEMPERATURE) 0879-2G2J-15C PATENTED	<b>PART NO. / DRAWING NO.</b> 0879-2G2J15C <b>FILE NAME</b> 0879-2G2J15C_B.DWG	<b>STANDARD DIM. TOL. IN INCH</b> .X .XX .XXX <b>[ ] METRIC DIM. AS REF.</b> UNIT : INCH [mm] SCALE : N/A SIZE : A4	<b>REV. :</b> B <b>PAGE :</b> 5
--	---	---	--	------------------------------------



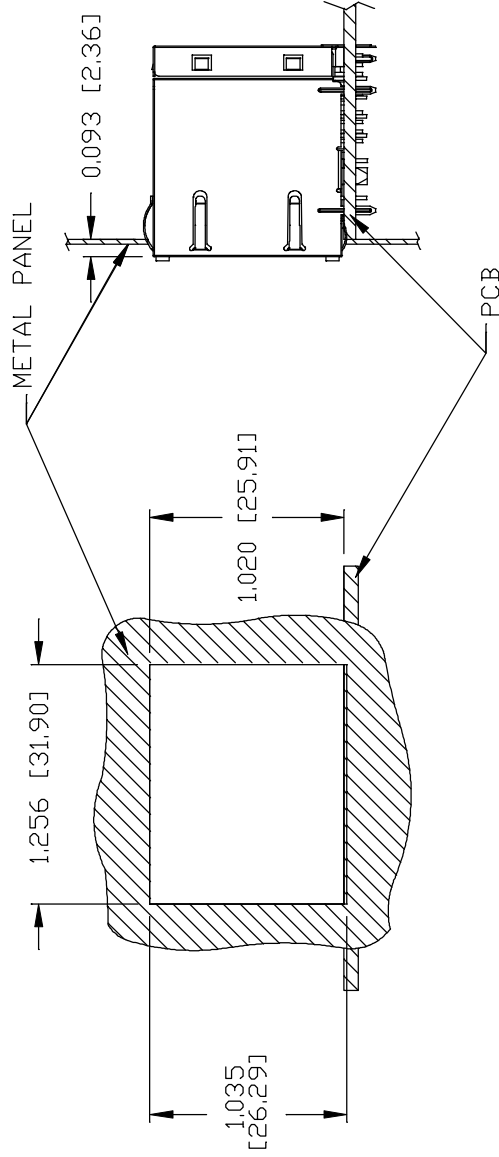
This document is electronically generated. This is a controlled copy if used internally

THE INFORMATION CONTAINED HEREIN IS CONSIDERED "PROPRIETARY" TO BEL FUSE INC. AND SHALL NOT BE COPIED, REPRODUCED OR DISCLOSED WITHOUT THE WRITTEN APPROVAL OF BEL FUSE INC.

RoHS



SUGGESTED PANEL OPENING



NOTE:


THE DISTANCE OF PANEL INSIDE SURFACE RELATIVE TO FRONT SURFACE OF PART IS ONLY A SUGGESTION, IN CASE THIS DISTANCE IS DIFFERENT, THE REQUIRED PANEL OPENING DIMENSIONS CHANGE ACCORDINGLY.

PACKING INFORMATION

PACKING TRAY : 0200-9999-P5 (TOP)  
0200-9999-P6 (BOTTOM)

PACKING QUANTITY : 28 PCS FINISHED GOODS PER TRAY  
7 TRAYS (196 PCS FINISHED GOODS) PER CARTON BOX

NOTE : CARDBOARDS ARE PLACED BETWEEN LAYERS OF PACKING TRAY INSIDE CARTON BOX (INCLUDE THE UPPERMOST AND LOWERMOST TRAY)

REV. : B PAGE : 6	
 MAGNETIC SOLUTIONS a bel group	
STANDARD DIM. [ ] METRIC DIM. AS REF.	TOL. IN INCH .X .XX .XXX
PART NO. / DRAWING NO. 0879-2G2J15C	UNIT : INCH [mm] SCALE : N/A SIZE : A4
FILE NAME 0879-2G2J15C_B.DWG	STANDARD DIM. TOL. IN INCH #0.004
TITLE 2X2 MagJack® (EXTENDED TEMPERATURE) 0879-2G2J-15C PATENTED	PART NO. / DRAWING NO. 0879-2G2J15C
ORIGINATED BY SANDY LIN DATE 2016-04-15	FILE NAME 0879-2G2J15C_B.DWG
DRAWN BY XUE RIPING DATE 2016-04-15	TITLE 2X2 MagJack® (EXTENDED TEMPERATURE) 0879-2G2J-15C PATENTED

This document is electronically generated. This is a controlled copy if used internally