

THE INFORMATION CONTAINED HEREIN IS CONSIDERED "PROPRIETARY" TO BEL FUSE INC. AND SHALL NOT BE COPIED, REPRODUCED OR DISCLOSED WITHOUT THE WRITTEN APPROVAL OF BEL FUSE INC.



RJ45

SCHEMATIC

LED POLARITY			
PIN 9	PIN 10	PIN 11	COLOR
-	+	-	GREEN
-	+	-	YELLOW

ELECTRICAL CHARACTERISTICS @ 25°C

LEAD POLARITY: PIN 9 GREEN, PIN 10 GREEN, PIN 11 YELLOW

1CT : 1CT ±3%

DCL @ 0.1V, 100KHZ

8mA DC BIAS

INSERTION LOSS

100KHZ TO 100MHZ

RETURN LOSS (MIN.)

1MHZ-30MHZ

60MHZ-80MHZ

CM TO CM REJ

100kHz - 100MHZ

100kHz - 100MHZ

XTALK

100kHz TO 100MHZ

-1.1 dB MAX

-18 dB

-12 dB

-30 dB Min

-35 dB Min

-35 dB MIN.

1500 Vrms

100% OF PRODUCTION TESTED TO COMPLY WITH IEEE 802.3 ISOLATION REQUIREMENTS.

OPERATING TEMPERATURE:

-40°C TO 85°C

LED

V_F (FORWARD VOLTAGE)

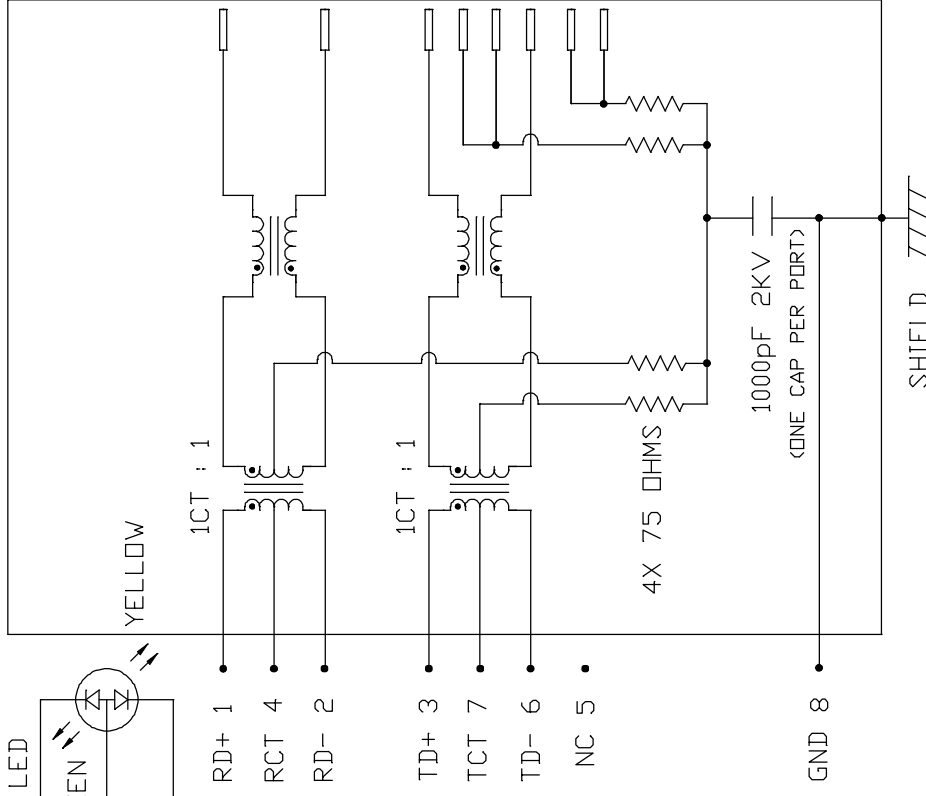
IF=20mA GREEN 2.2V TYP.

IF=20mA YELLOW 2.1V TYP.

λ_D (DOMINANT WAVELENGTH)

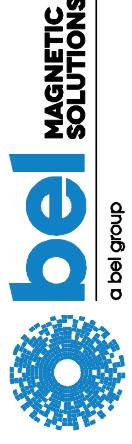
IF=20mA GREEN 570nm TYP.

IF=20mA YELLOW 590nm TYP.

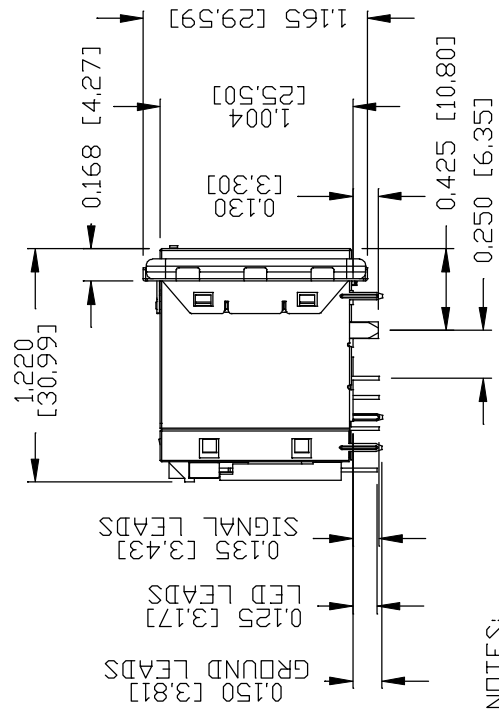


ORIGINATED BY CHOW WANCHUNG		TITLE 2X6 MagJack® WITH LED		PART NO. / DRAWING NO. 08102H6V.BGAF		STANDARD DIM. TOL. IN INCH		REV. : A		PAGE : 2	
DATE 2019-11-06		2X6 MagJack® WITH LED		08102H6V.BGAF		[] METRIC DIM. AS REF.		X		UNIT : INCH [mm]	
DRAWN BY XIE YIMING		0810-2H6V-BGA-F		FILE NAME 08102H6V.BGAF_A.DWG		.XX		XX		SCALE : N/A	
DATE 2019-11-06						.XXX		XXX		SIZE : A4	

This document is electronically generated. This is a controlled copy if used internally



THE INFORMATION CONTAINED HEREIN IS CONSIDERED "PROPRIETARY" TO BEL FUSE INC. AND SHALL NOT BE COPIED, REPRODUCED OR DISCLOSED WITHOUT THE WRITTEN APPROVAL OF BEL FUSE INC.

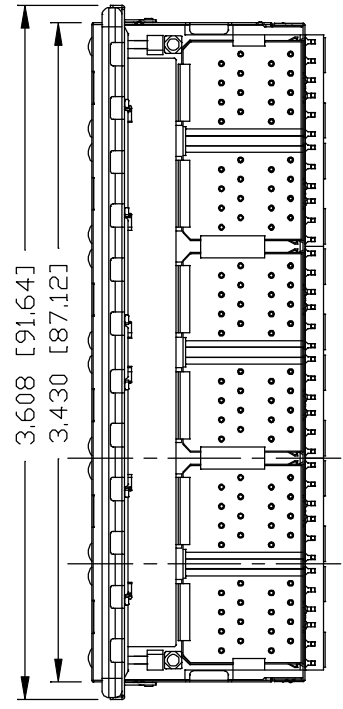
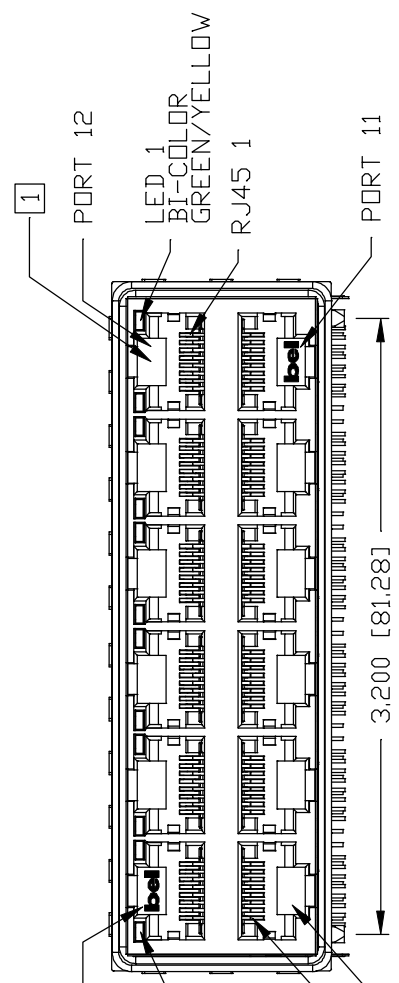
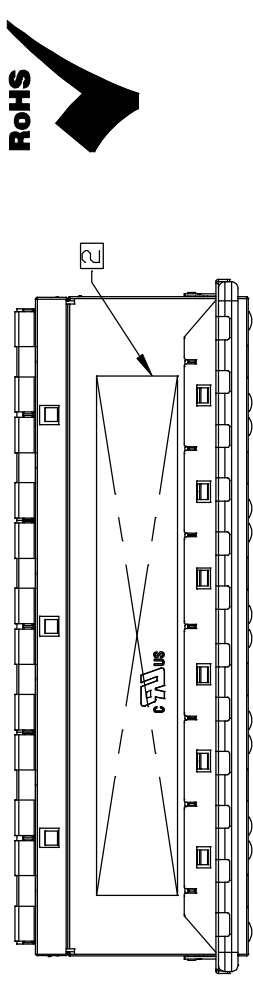


NOTES:

- PLASTIC HOUSING: THERMOPLASTIC PBT, BLACK
FLAMMABILITY RATING UL 94V-0
- CONTACT PLATING: 30 MICRO-INCH HARD GOLD PLATING OR EQUIVALENT.
- OUTPUT PINS:
TIN-COATED COPPER WIRE, DIA 0.018 INCH.
100 MICRO-INCH MIN MATTE TIN.
PINS ARE SOLDER DIPPED.
- METAL SHIELD:
NICKEL PLATED ON COPPER ALLOY.
(ALL GROUND LEADS ARE SOLDER DIPPED)

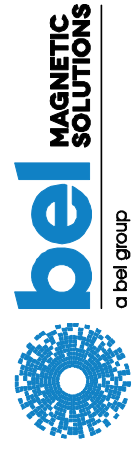
1. JACK CAVITY CONFORMS TO FCC RULES AND REGULATIONS, PART 68 SUBPART F.
2. MARK PART WITH MFG LOGO, MFG NAME, PART NUMBER AND DATE CODE.
3. THE PRODUCT IS ROHS COMPLIANT.

cFLUs UL RECOGNIZED - FILE #E196366 AND E169987.



4. THE PRODUCT IS RECOMMENDED FOR WAVE SOLDERING PROCESS, PEAK TEMPERATURE 260°C MAX. AND 10 SECONDS MAX.

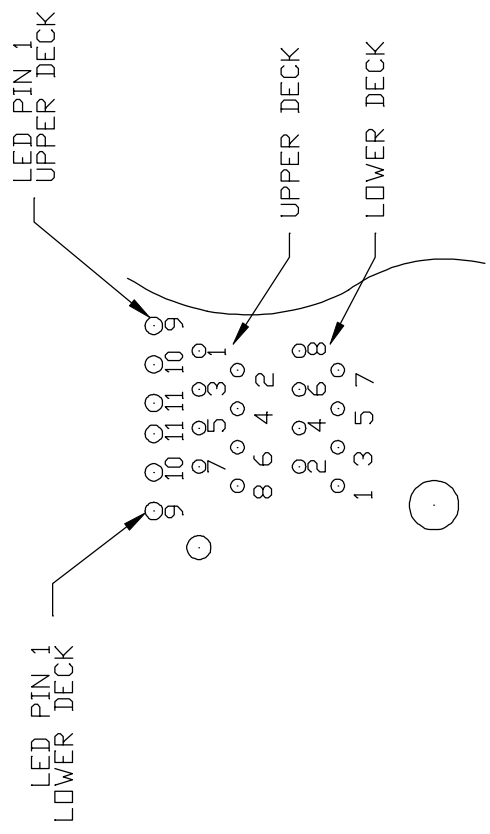
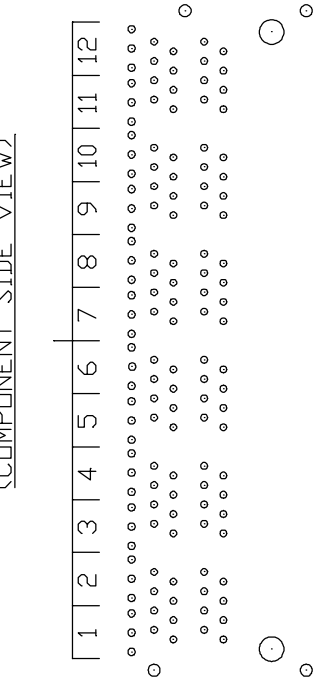
ORIGINATED BY SANDY LIN		TITLE 2X6 MagJack® WITH LED		PART NO. / DRAWING NO. 08102H6V/BGAF		STANDARD DIM. TOL. IN INCH		REV. : A		PAGE : 3	
DATE 2019-11-06		0810-2H6V-BGA-F		FILE NAME 08102H6V/BGAF_A.DWG		[] METRIC DIM. AS REF.		UNIT : INCH [mm]		SCALE : N/A	
DRAWN BY RUAN WENJUN						.X		.XX		.XXX	
DATE 2019-11-06						+0.010		SIZE : A4			



THE INFORMATION CONTAINED HEREIN IS CONSIDERED "PROPRIETARY" TO BEL FUSE INC. AND SHALL NOT BE COPIED, REPRODUCED OR DISCLOSED WITHOUT THE WRITTEN APPROVAL OF BEL FUSE INC.

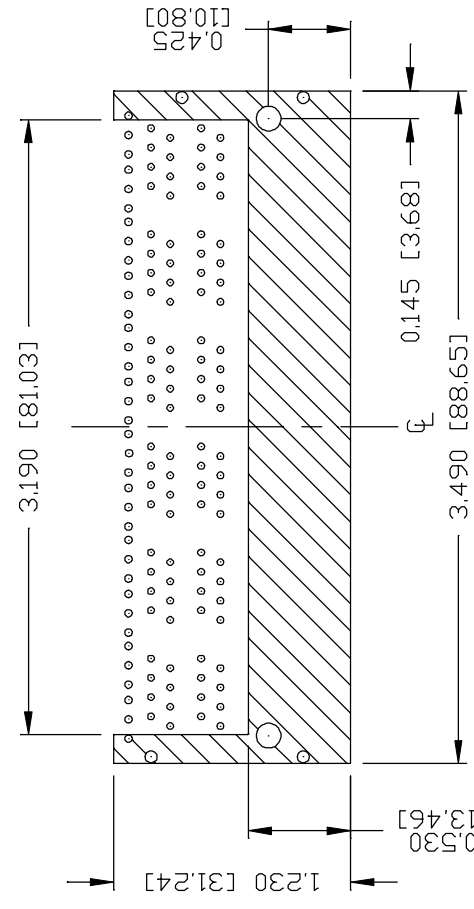


PORT ASSIGNMENT
(COMPONENT SIDE VIEW)



PIN-OUT INFORMATION
(COMPONENT SIDE VIEW)

11	YELLOW LED CATHODE
10	COMMON ANODE
9	GREEN LED CATHODE
8	GND
7	TCT
6	TD-
5	NC
4	RCT
3	TD+
2	RD-
1	RD+



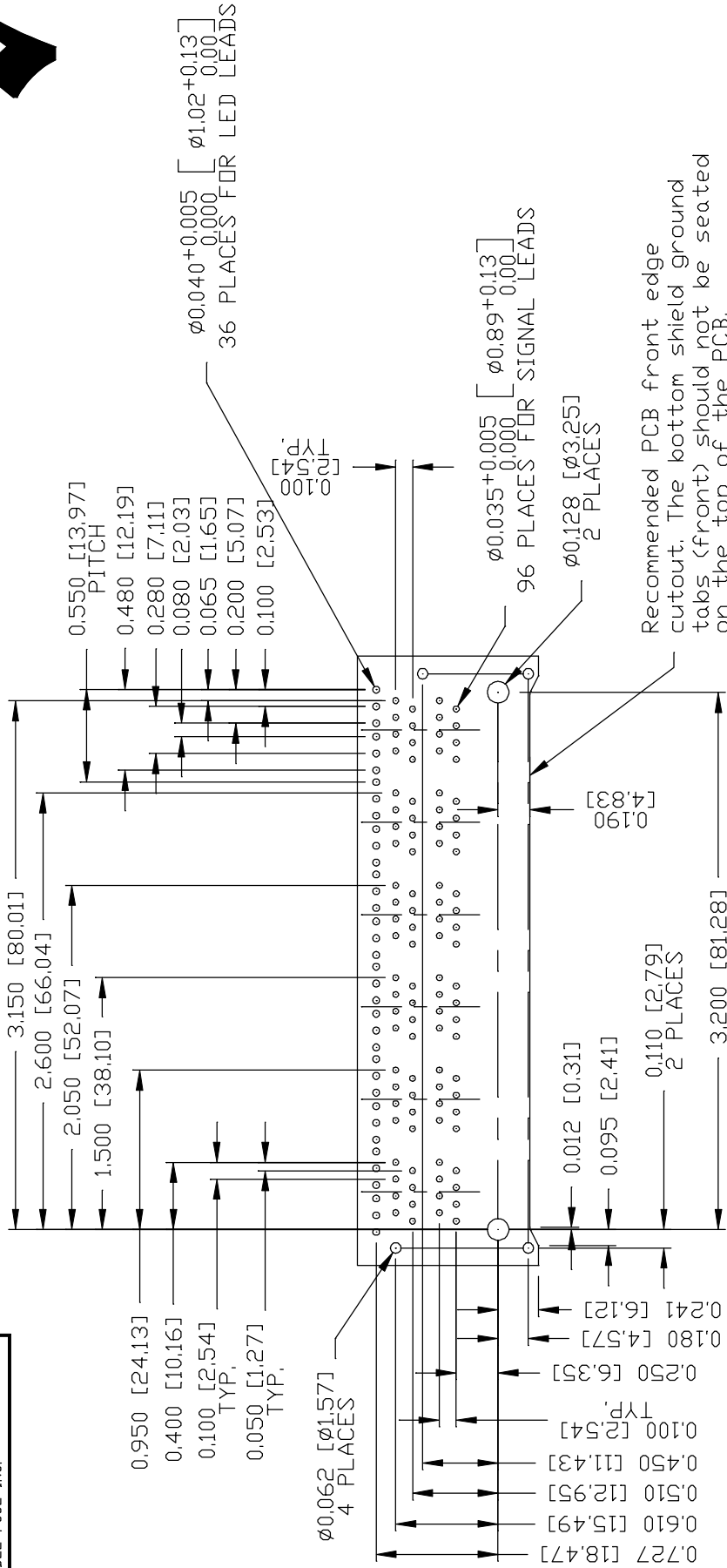
THE SHADED AREA ON THE CUSTOMER BOARD ARE RECOMMENDED TO BE CLEAR OFF ANY VIA HOLE OR COMPONENT PAD.

REV. : A PAGE : 4

<p>ORIGINATED BY SANDY LIN DATE 2019-11-06</p>	<p>TITLE 2X6 MagJack® WITH LED 0810-2H6V-BGA-F</p>	<p>PART NO. / DRAWING NO. 08102H6V/BGAF</p>	<p>STANDARD DIM. TOL. IN INCH</p>
<p>DRAWN BY RUAN WENJUN DATE 2019-11-06</p>	<p>FILE NAME 08102H6V/BGAF_A.DWG</p>	<p>UNIT : INCH [mm] SCALE : N/A</p>	<p>[] METRIC DIM. AS REF.</p>
<p>DC002(2)120214</p>		<p>SIZE : A4</p>	<p>bel a bel group</p>

This document is electronically generated. This is a controlled copy if used internally

THE INFORMATION CONTAINED HEREIN IS CONSIDERED
 "PROPRIETARY" TO BEL FUSE INC. AND SHALL NOT BE
 COPIED, REPRODUCED OR DISCLOSED WITHOUT THE
 WRITTEN APPROVAL OF BEL FUSE INC.



SUGGESTED FOOTPRINT
 (COMPONENT SIDE VIEW)

REV. : A		PAGE : 5	
ORIGINATED BY SANDY LIN DATE 2019-11-06		TITLE 2X6 MagJack® WITH LED 0810-2H6V-BGA-F	
DRAWN BY RUAN WENJUN DATE 2019-11-06		PART NO. / DRAWING NO. 08102H6V/BGAF FILE NAME 08102H6V/BGAF_A.DWG	
STANDARD DIM. TOL. IN INCH .X .XX .XXX		[] METRIC DIM. AS REF. UNIT : INCH [mm] SCALE : N/A SIZE : A4	

This document is electronically generated. This is a controlled copy if used internally

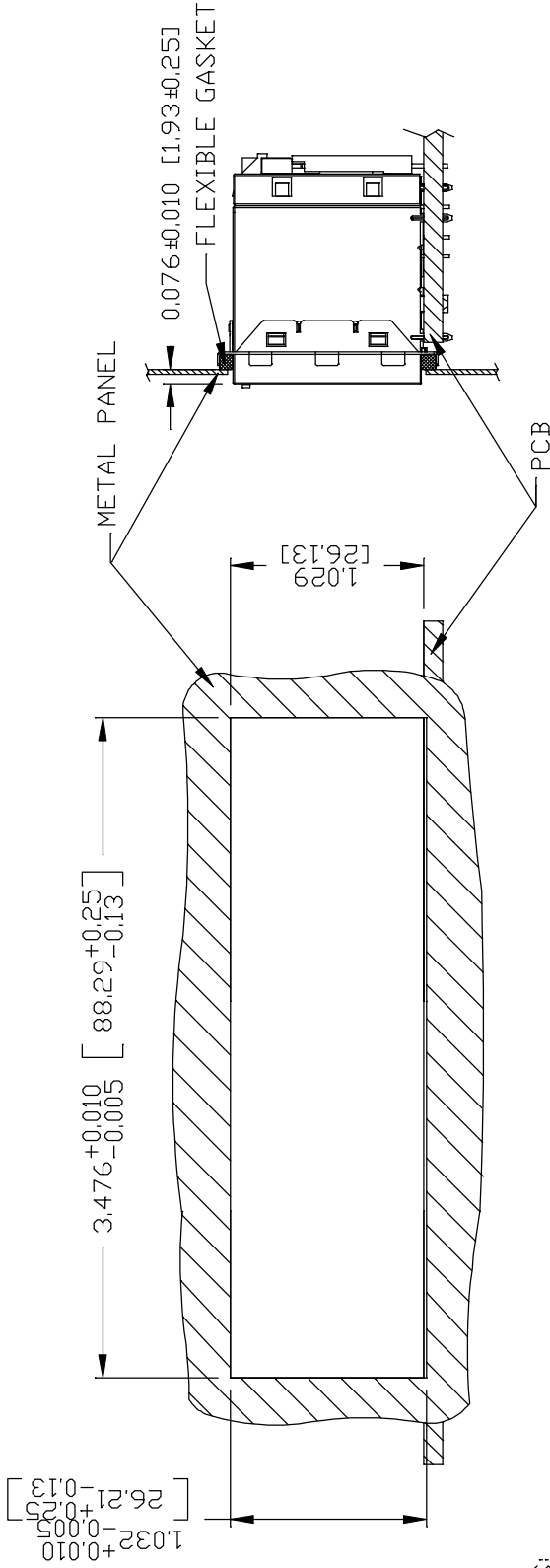


a bel group

THE INFORMATION CONTAINED HEREIN IS CONSIDERED "PROPRIETARY" TO BEL FUSE INC. AND SHALL NOT BE COPIED, REPRODUCED OR DISCLOSED WITHOUT THE WRITTEN APPROVAL OF BEL FUSE INC.



SUGGESTED PANEL OPENING



NOTES:

1. THE DISTANCE OF PANEL INSIDE SURFACE RELATIVE TO FRONT SURFACE OF PART IS ONLY A SUGGESTION. IN CASE THIS DISTANCE IS DIFFERENT, THE REQUIRED PANEL OPENING DIMENSIONS CHANGE ACCORDINGLY.
2. RECOMMENDED COMPRESSION OF THE FLEXIBLE GASKET MATERIAL OF 25%.
3. RECOMMENDED FLEXIBLE GASKET THICKNESS BEFORE COMPRESSION IS 0.103 INCH.
4. THE FLEXIBLE GASKET CAN BE ORDERD SEPARATELY VIA PART NUMBER 0080M1700-07.

PACKING INFORMATION

PACKING TRAY : 0200M9999-R5 (TOP)
0200M9999-R4 (BOTTOM)

PACKING QUANTITY : 9 PCS FINISHED GOODS PER TRAY

7 TRAYS (63 PCS FINISHED GOODS) PER CARTON BOX

NOTE : CARDBOARDS ARE PLACED BETWEEN LAYERS OF PACKING TRAY INSIDE CARTON BOX (INCLUDE THE UPPERMOST AND LOWERMOST TRAY)

REV. : A		PAGE : 6	
ORIGINATED BY SANDY LIN DATE 2019-11-06 DRAWN BY RUAN WENJUN DATE 2019-11-06		TITLE 2X6 MagJack® WITH LED 0810-2H6V-BGA-F	
PART NO. / DRAWING NO. 08102H6V BGAF		STANDARD DIM. TOL. IN INCH X XX XXX	
FILE NAME 08102H6V BGAF_A.DWG		[] METRIC DIM. AS REF. UNIT : INCH [mm] SCALE : N/A SIZE : A4	
bel a bel group		MAGNETIC SOLUTIONS	

This document is electronically generated. This is a controlled copy if used internally