

THE INFORMATION CONTAINED HEREIN IS CONSIDERED PROPRIETARY TO BEL FUSE INC. AND SHALL NOT BE COPIED, REPRODUCED OR DISCLOSED WITHOUT THE WRITTEN APPROVAL OF BEL FUSE INC.

**ELECTRICAL CHARACTERISTICS @ 25°C**

**TURNS RATIO**

- TP1 1CT : 1CT ±2%
- TP2 1CT : 1CT ±2%
- TP3 1CT : 1CT ±2%
- TP4 1CT : 1CT ±2%

**DCL @ 100kHz/100mVRMS**

- 19mA DC BIAS (-40°C - +85°C) 180µH MIN.
- (-40°C - +85°C) 120µH MIN.

**INS. LOSS**

- 1MHZ TO 150MHZ -0.004<fMHZ>-0.4 dB MAX

**RET. LOSS**

- 1MHZ-40MHZ -20 dB MIN
- 40.1MHZ-150MHZ -20+15LOG<f/40MHZ> dB MIN

**CROSSTALK**

- 1MHZ - 40MHZ -35 dB MIN
- 40.1MHZ-150MHZ -35+15LOG<f/40MHZ> dB MIN

**CM TO CM REJ**

- 1MHZ - 150MHZ -25 dB MIN

**HIPOT (Isolation Voltage):**

- 2250 VDC
- 100% OF PRODUCTION TESTED TO COMPLY WITH IEEE 802.3 ISOLATION REQUIREMENTS.

**BALANCED DC LINE CURRENT**

- 600mA MAX. CONTINUOUS
- 1.2A MAX. FOR 200 MILLISECONDS

**LED 1 & 2 & 3 & 4**

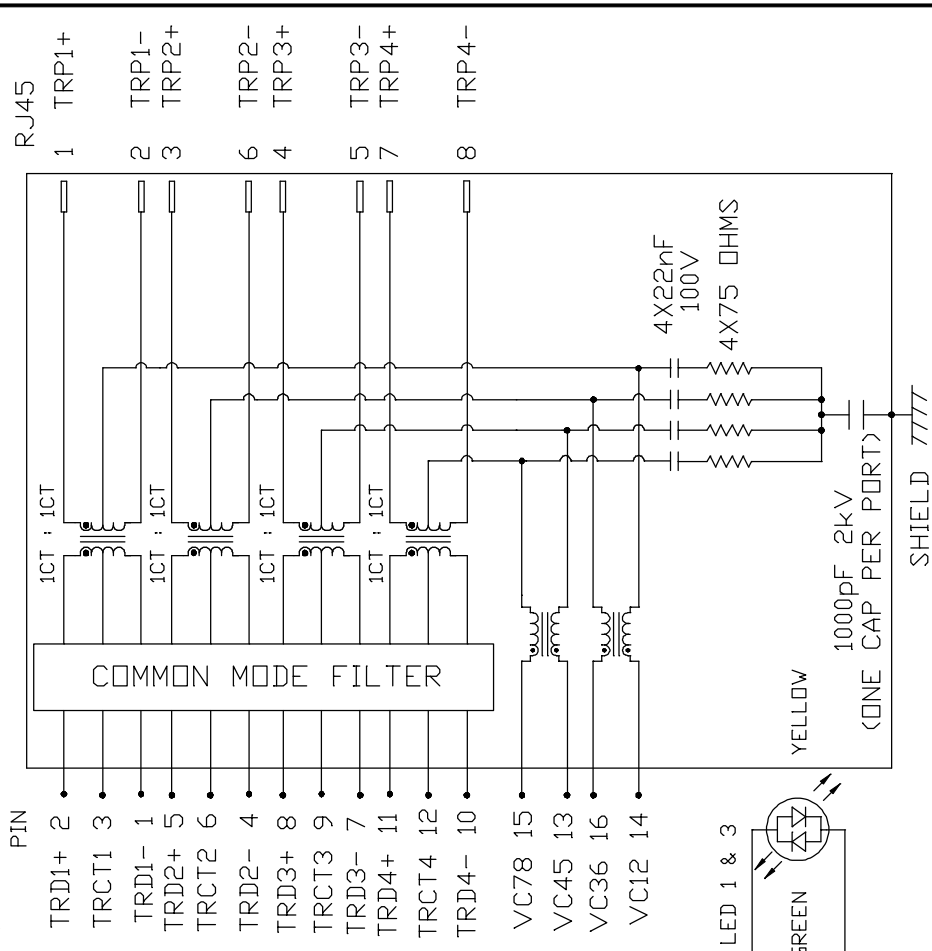
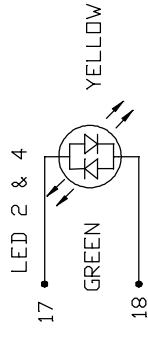
- IF=20mA GREEN 2.2V TYP.
- YELLOW 2.1V TYP.

**AD (DOMINANT WAVELENGTH)**

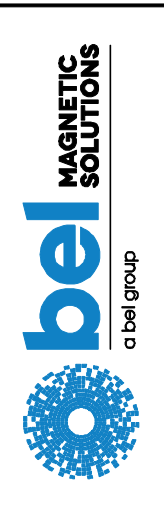
- IF=20mA GREEN 570nm TYP.
- YELLOW 590nm TYP.

OPERATING TEMPERATURE: -40°C TO +85°C.

LED 2 & 4 POLARITY		LED 1 & 3 POLARITY	
PIN 17	PIN 18	PIN 19	PIN 20
+	-	+	-
YELLOW	GREEN	YELLOW	GREEN

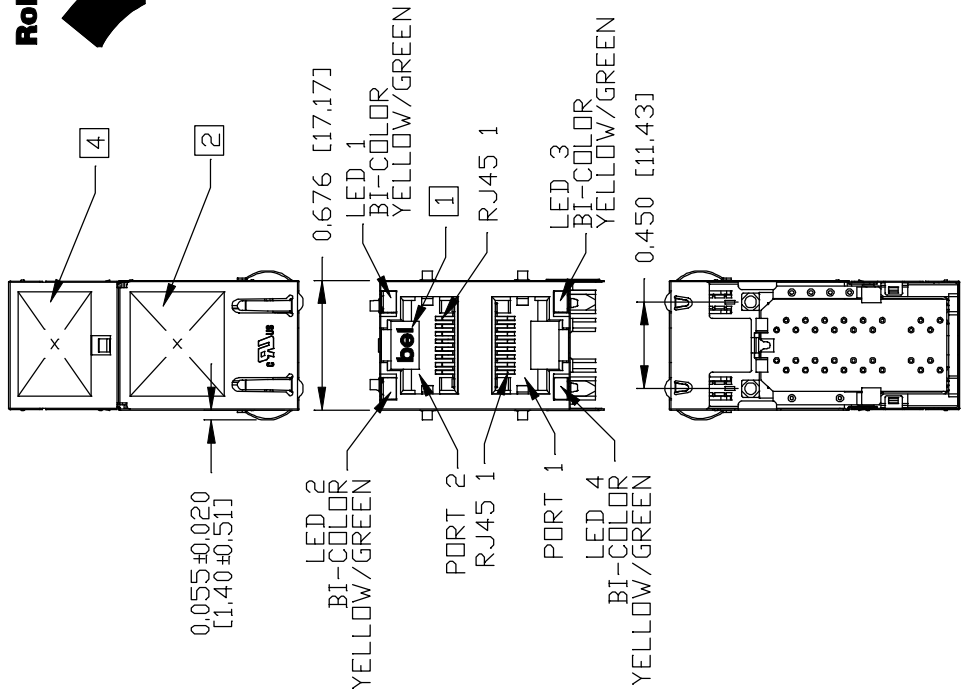
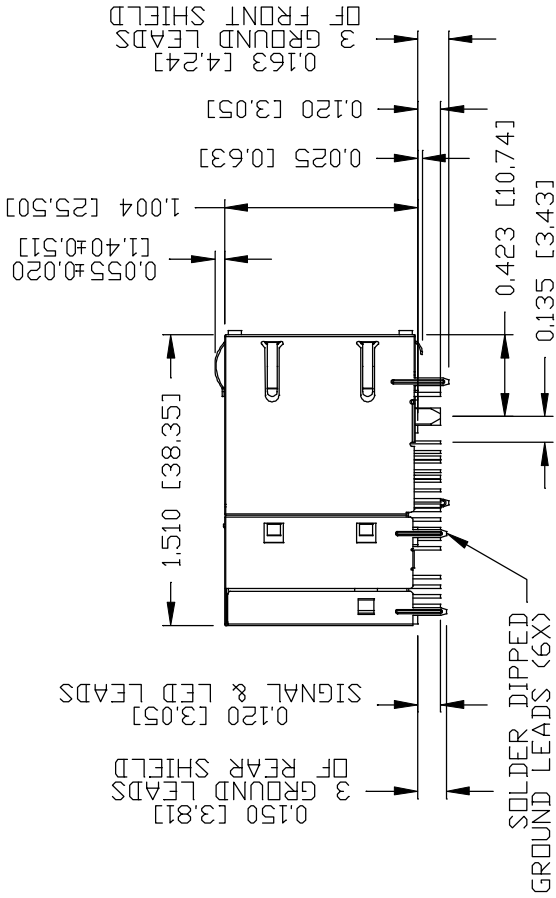


<b>ORIGINATED BY</b> CHOW WANCHUNG		<b>TITLE</b> 2X1 2.5 gigabit MagJack®	
<b>DATE</b> 2022-06-13		<b>PART NO. / DRAWING NO.</b> 0895-2C1RJDD	
<b>DRAWN BY</b> TANG YUAN		<b>FILE NAME</b> 0895-2C1RJDD_A.DWG	
<b>DATE</b> 2022-06-13		<b>STANDARD DIM.</b> TOL. IN INCH .X .XX .XXX	
		<b>[ ] METRIC DIM. AS REF.</b>	
		<b>UNIT : INCH [mm]</b>	
		<b>SCALE : N/A</b>	
		<b>SIZE : A4</b>	
		<b>REV. : A</b>	
		<b>PAGE : 2</b>	



DC002(2)120214 This document is electronically generated. This is a controlled copy if used internally

THE INFORMATION CONTAINED HEREIN IS CONSIDERED "PROPRIETARY" TO BEL FUSE INC. AND SHALL NOT BE COPIED, REPRODUCED OR DISCLOSED WITHOUT THE WRITTEN APPROVAL OF BEL FUSE INC.



**NOTES:**  
 PLASTIC HOUSING: THERMOPLASTIC PBT, BLACK, FLAMMABILITY RATING UL 94V-0.  
 CONTACT PLATING: 50 MICRO-INCH HARD GOLD PLATING OR EQUIVALENT.  
 OUTPUT PINS:  
 TIN-COATED COPPER WIRE, DIA 0.018 INCH,  
 100 MICRO-INCH MIN MATTE TIN. PINS ARE SOLDER DIPPED.  
 METAL SHIELD:  
 NICKEL PLATED ON COPPER ALLOY.  
 <ALL GROUND LEADS ARE SOLDER DIPPED>  
 JACK CAVITY CONFORMS TO FCC RULES AND REGULATIONS, PART 68 SUBPART F.  
 MARK PART WITH MFG LOGO, MFG NAME, PART NUMBER AND DATE CODE.  
 THE PRODUCT IS RoHS COMPLIANT.

5. REVERSED POLARITY OF GENERAL 'C' LED.  
 6. THE PART IS RECOMMENDED FOR WAVE SOLDERING.  
 THE SUGGESTED PEAK WAVE SOLDERING CONDITION IS 260°C MAX AND 10 SECONDS MAX.

**us** UL RECOGNIZED - FILE #E196366 AND E169987.

THE PRODUCT IS PATENTED. "PATENTED" MARKING IS ON THE TOP SURFACE.  
 THE PATENT NUMBER ARE U.S. PAT. 6,840,817 AND U.S. PAT. 7,123,117.

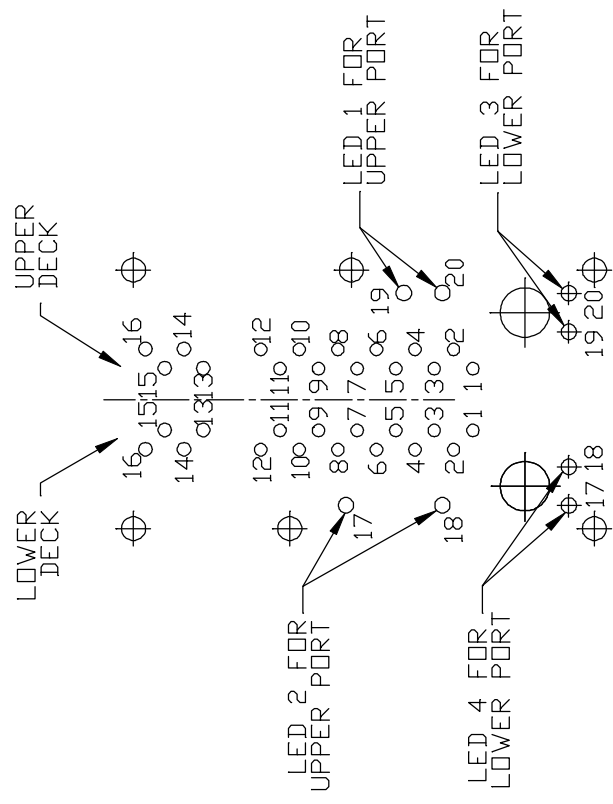
<b>ORIGINATED BY</b> LI QUANKUN		<b>PART NO. / DRAWING NO.</b> 0895-2C1RJDD		<b>STANDARD DIM.</b> TOL. IN INCH		<b>[ ] METRIC DIM.</b> AS REF.		<b>REV. :</b> A PAGE : 3	
<b>DATE</b> 2022-06-13		<b>FILE NAME</b> 0895-2C1RJDD_A.DWG		.X		UNIT : INCH [mm]		 a bel group	
<b>DRAWN BY</b> OLIVER ZHANG		PATENTED		.XX		SCALE : N/A			
<b>DATE</b> 2022-06-13		4PPoE		.XXX		SIZE : A4			

DC002(2)120214 This document is electronically generated. This is a controlled copy if used internally

THE INFORMATION CONTAINED HEREIN IS CONSIDERED "PROPRIETARY" TO BEL FUSE INC. AND SHALL NOT BE COPIED, REPRODUCED OR DISCLOSED WITHOUT THE WRITTEN APPROVAL OF BEL FUSE INC.

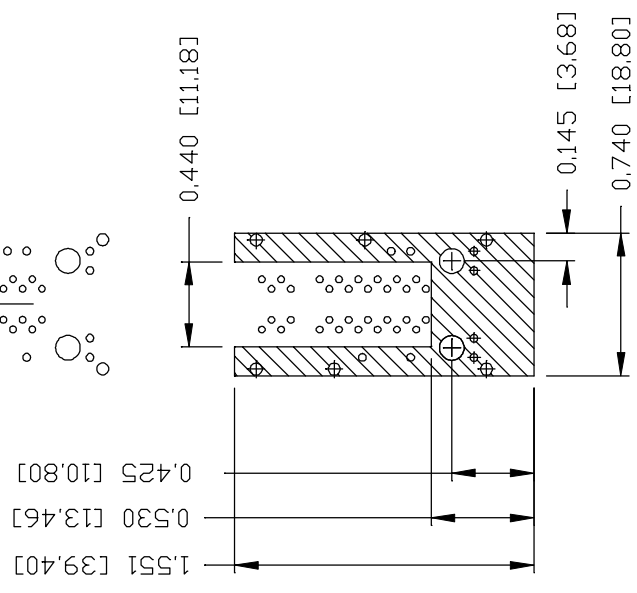


PORT ASSIGNMENT  
(COMPONENT SIDE VIEW)



PIN-OUT INFORMATION  
(COMPONENT SIDE VIEW)

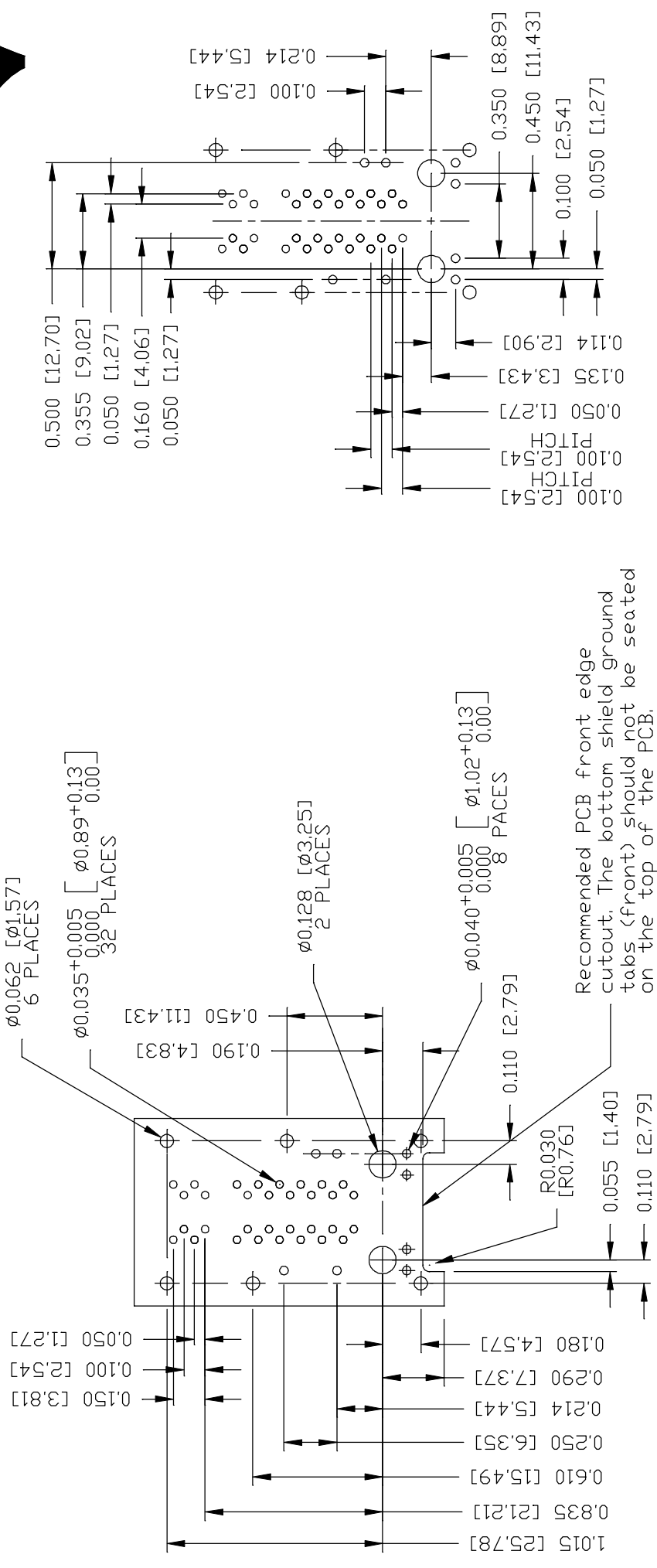
10	TRD4-	20	YEL(-) GRN(+)
9	TRCT3	19	YEL(+) GRN(-)
8	TRD3+	18	YEL(-) GRN(+)
7	TRD3-	17	YEL(+) GRN(-)
6	TRCT2	16	VC36
5	TRD2+	15	VC78
4	TRD2-	14	VC12
3	TRCT1	13	VC45
2	TRD1+	12	TRCT4
1	TRD1-	11	TRD4+



THE SHADED AREA ON THE CUSTOMER BOARD ARE RECOMMENDED TO BE CLEAR OFF ANY VIA HOLE OR COMPONENT PAD.

<p>ORIGINATED BY LI QUANKUN</p> <p>DATE 2022-06-13</p> <p>DRAWN BY OLIVER ZHANG</p> <p>DATE 2022-06-13</p>	<p>TITLE 2X1 2.5 gigabit MagJack® 4PoE</p> <p>0895-2C1R-JDD PATENTED</p>	<p>PART NO. / DRAWING NO. 0895-2C1RJDD</p> <p>FILE NAME 0895-2C1RJDD_A.DWG</p>	<p>STANDARD DIM. TOL. IN INCH</p> <p>.X</p> <p>.XX</p> <p>.XXX</p>	<p>[ ] METRIC DIM. AS REF.</p> <p>UNIT : INCH [mm]</p> <p>SCALE : N/A</p> <p>SIZE : A4</p>
<p>REV. : A</p>			<p>PAGE : 4</p>	<p>a bel group</p>

THE INFORMATION CONTAINED HEREIN IS CONSIDERED "PROPRIETARY" TO BEL FUSE INC. AND SHALL NOT BE COPIED, REPRODUCED OR DISCLOSED WITHOUT THE WRITTEN APPROVAL OF BEL FUSE INC.



Recommended PCB front edge cutout. The bottom shield ground tabs (front) should not be seated on the top of the PCB.

SUGGESTED FOOTPRINT  
(COMPONENT SIDE VIEW)

ORIGINATED BY LI QUANKUN	TITLE 2X1 2.5 Gb/s MagJack®	PART NO. / DRAWING NO. 0895-2C1RJDD	STANDARD DIM. TOL. IN INCH	[ ] METRIC DIM. AS REF.	REV. : A	PAGE : 5
DATE 2022-06-13	4PPoE	FILE NAME 0895-2C1RJDD_A.DWG	.X	UNIT : INCH [mm]		
DRAWN BY OLIVER ZHANG	0895-2C1R-JDD	PATENTED	.XX	SCALE : N/A		
DATE 2022-06-13			.XXX	SIZE : A4		

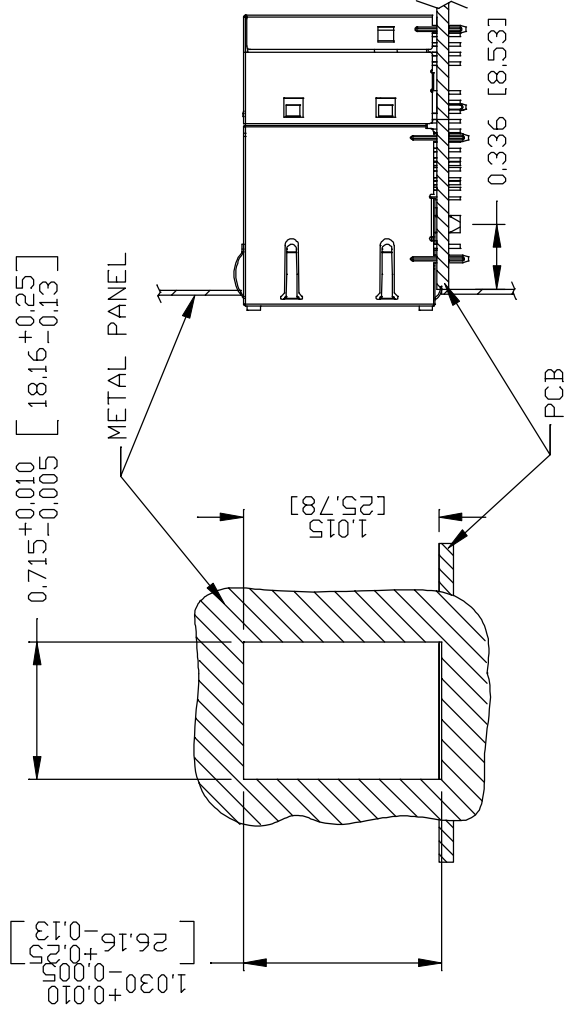
This document is electronically generated. This is a controlled copy if used internally



THE INFORMATION CONTAINED HEREIN IS CONSIDERED "PROPRIETARY" TO BEL FUSE INC. AND SHALL NOT BE COPIED, REPRODUCED OR DISCLOSED WITHOUT THE WRITTEN APPROVAL OF BEL FUSE INC.



SUGGESTED PANEL OPENING



NOTE:

THE DISTANCE OF PANEL INSIDE SURFACE RELATIVE TO FRONT SURFACE OF PART IS ONLY A SUGGESTION. IN CASE THIS DISTANCE IS DIFFERENT, THE REQUIRED PANEL OPENING DIMENSIONS CHANGE ACCORDINGLY.

PACKING INFORMATION

PACKING TRAY : 0200M9999-P3 (TOP)

0200M9999-P9 (BOTTOM)

PACKING QUANTITY : 18 PCS FINISHED GOODS PER TRAY

9 TRAYS (162 PCS FINISHED GOODS) PER CARTON BOX

NOTE : CARDBOARDS ARE PLACED BETWEEN LAYERS OF PACKING TRAY INSIDE CARTON BOX (INCLUDE THE UPPERMOST AND LOWERMOST TRAY)

REV. : A PAGE : 6			
a bel group			
ORIGINATED BY LI QUANKUN	PART NO. / DRAWING NO. 0895-2C1RJDD	STANDARD DIM. TOL. IN INCH	[ ] METRIC DIM. AS REF.
DATE 2022-06-13	TITLE 2X1 2.5 gigabit MagJack® 4PPoE	.X .XX .XXX	UNIT : INCH [mm] SCALE : N/A SIZE : A4
DRAWN BY OLIVER ZHANG	FILE NAME 0895-2C1RJDD_A.DWG	±0.005	
DATE 2022-06-13	PATENTED 0895-2C1R-JDD		

DC002(2)120214 This document is electronically generated. This is a controlled copy if used internally