

NOTE:

1. FIBRE SIZE: 9/125, 50/125 OR 62.5/125
2. FIBRE TYPE:
6 CORE MIL-TAC D Ø6.0mm (BACKSHELL)
900um BUFFERED FIBRE (NO BACKSHELL)
3. MATERIAL:
SHELL: STAINLESS STEEL 316, PASSIVATED
BACKSHELL: ACETAL, BLACK
4. BACKSHELL CANNOT BE FITTED WHEN MOUNTING FROM FRONT

CONNECTOR WITHOUT BACKSHELL

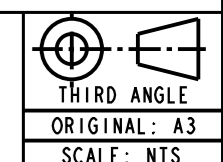
(SEE SHEET 2 FOR CONNECTOR WITH BACKSHELL)

A		FIRST ISSUE	GM	05/04/18
ISSUE	CHANGE DESCRIPTION		CHECKED	DATE
DRAWN	MATERIAL	FINISH	MILITARY: NO RATING : N/A	
MEH	SEE KIT LIST	SEE KIT LIST		
CHECKED				
GM				

UNLESS OTHERWISE STATED:
ALL DIMENSIONS ARE IN mm

CONFIDENTIAL - THE INFORMATION CONTAINED IN THIS DRAWING IS THE SOLE PROPERTY OF CINCH LTD. ANY REPRODUCTION IN PART OR AS A WHOLE WITHOUT THE WRITTEN PERMISSION OF CINCH LTD IS PROHIBITED

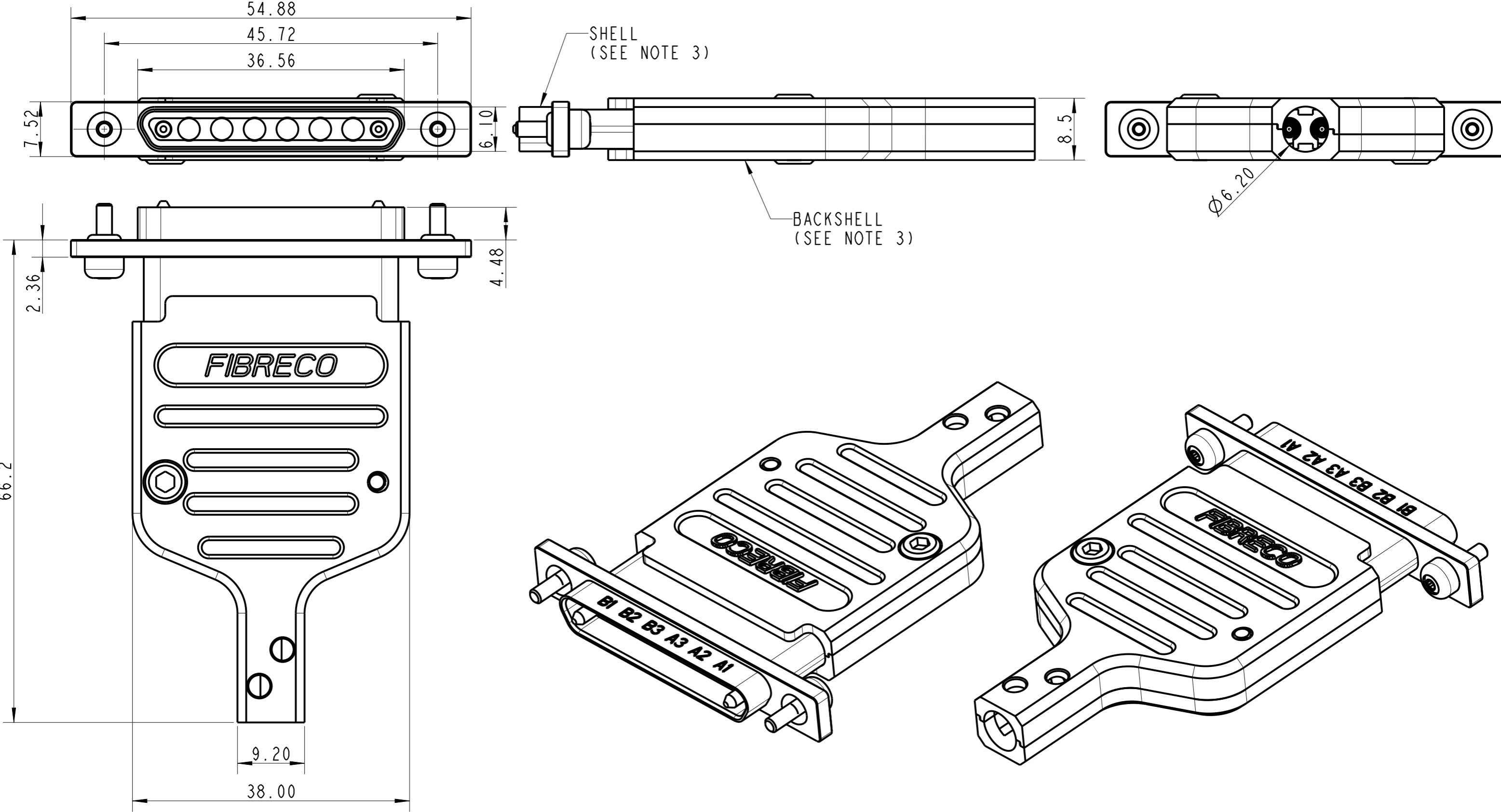
Cinch Connectivity Solutions LTD
11 BILTON ROAD, CHELMSFORD, ESSEX. CMI 2UP
TEL: +44 (0) 1245 342060



FIBRECO DRAWING TITLE
HOUSING STANDARD FLANGE
DURACON-EB SOCKET 6CH OUTLINE

FIBRECO DRAWING NUMBER
5499C

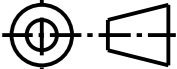
SHEET 1
OF 2



CONNECTOR WITH BACKSHELL

(SEE SHEET 1 FOR CONNECTOR WITHOUT BACKSHELL)

SEE SHEET 1 FOR NOTES

				UNLESS OTHERWISE STATED: ALL DIMENSIONS ARE IN mm		CONFIDENTIAL - THE INFORMATION CONTAINED IN THIS DRAWING IS THE SOLE PROPERTY OF CINCH LTD. ANY REPRODUCTION IN PART OR AS A WHOLE WITHOUT THE WRITTEN PERMISSION OF CINCH LTD IS PROHIBITED		Cinch Connectivity Solutions LTD 11 BILTON ROAD, CHELMSFORD, ESSEX. CMI 2UP TEL: +44 (0) 1245 342060		 THIRD ANGLE ORIGINAL: A3 SCALE: NTS		
A	FIRST ISSUE	GM	05/04/18	FIBRECO DRAWING TITLE				FIBRECO DRAWING NUMBER				
ISSUE	CHANGE DESCRIPTION		CHECKED	DATE	HOUSING STANDARD FLANGE				5499C			
DRAWN	MATERIAL	FINISH			DURACON-EB SOCKET 6CH OUTLINE							
MEH	SEE KIT LIST	SEE KIT LIST										
CHECKED												
GM												
			MILITARY: NO RATING : N/A						SHEET 2 OF 2			